

YRW-2-2200 Series



Design Features

Housing: Four heavy gauge extruded aluminum sections interlock to form the cylinder. Ballast support brackets with 1/4" threaded studs are internally welded to the housing.

Lens Assembly: Clear tempered glass lens is secured in regressed cast aluminum frames with three clips. Gasket is installed between the glass and the frame and between frame and housing. Frame is secured to the housing with three flush stainless steel fasteners. Optional with open bottom "OB".

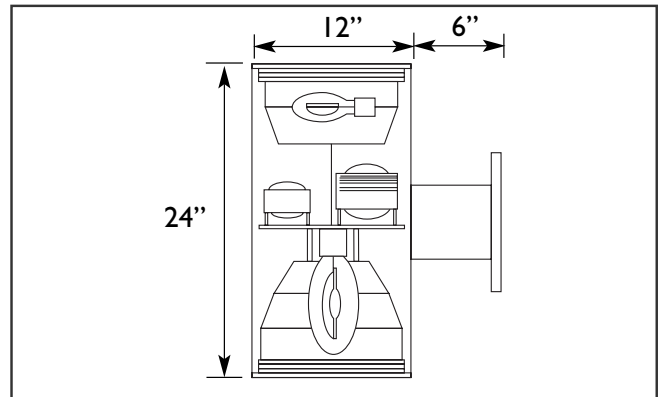
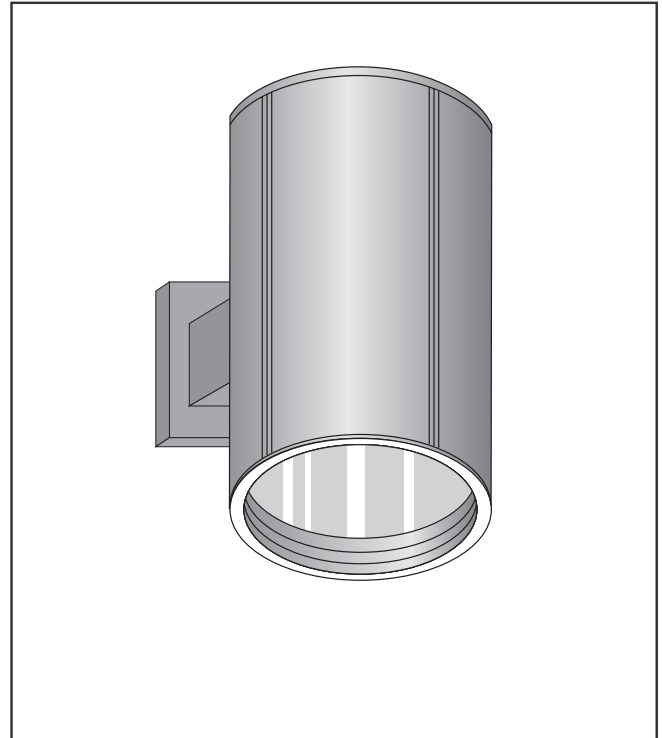
Optical System: Spun aluminum reflectors with specular low iridescent finish produces a smooth symmetrical distribution.

Mounting Bracket: Extruded aluminum arm is internally welded to cast back plate. Arm is bolted to housing with two 3/8" bolts. Steel zinc plated bracket mounts to wall surface and is attached to the cast plate with two stainless steel fasteners.

Ballast/Lamp Assembly: HID ballast are high power factor and suitable for -20°F operation. CFL ballast are electronic with universal voltage and operate (2) 26, 32 or 42 watt 4-pin lamps. HID sockets are porcelain, medium base and pulse-rated for 150 watt and mogul base for 250 watt units. Maximum wattage for up light is 150 when using 250 watts down. CFL sockets are thermoplastic. Optional with emergency ballast "EMB".

Finish: Polyester powder coating on all metal parts. Color to be specified.

Listing: Luminaire is ETL listed for wet locations.



Specification Guide

Series	Wattage/Lamp	Volts	Options	Finish
YRW-2	(2)26-42w/CFL = 2/2242P	120	IF = Single Fuse	BZ = Bronze
	100w/HPS = 2210S	208	2F = Double Fuse	BK = Black
	150w/HPS = 2215S	240	PH = Button Cell	WH = White
	250w/HPS = 2225S	277	OB = Open Bottom	SL = Silver
	100w/MH = 2210H	UV	QR = Quartz Relay	CC = Custom Color
	150w/MH = 2215H		PG = Prismatic Glass	
	250w/MH = 2225H		EMB = Emerg. Ballast	

Example: 100 Watt, Metal Halide, 120 Volts, Single Fuse, Bronze
YRW-2-2210H-120/IF/BZ