

YRW-2-800 Series



Design Features

Housing: Four heavy gauge .188 wall extruded aluminum sections interlock to form the cylinder housing. Two sections are internally welded to lower cast lens frame and two sections are bolted to mounting bracket and welded to upper lens frame.

Lens Assembly: Clear heat tempered glass lens are sealed in regressed cast aluminum frames. The lower frame is welded to two extruded sections which easily slides down for relamping and ballast maintenance by releasing a single set screw. A safety chain secures the frame in place. Incandescent cylinders for Par lamps are supplied with an open bottom "OB".

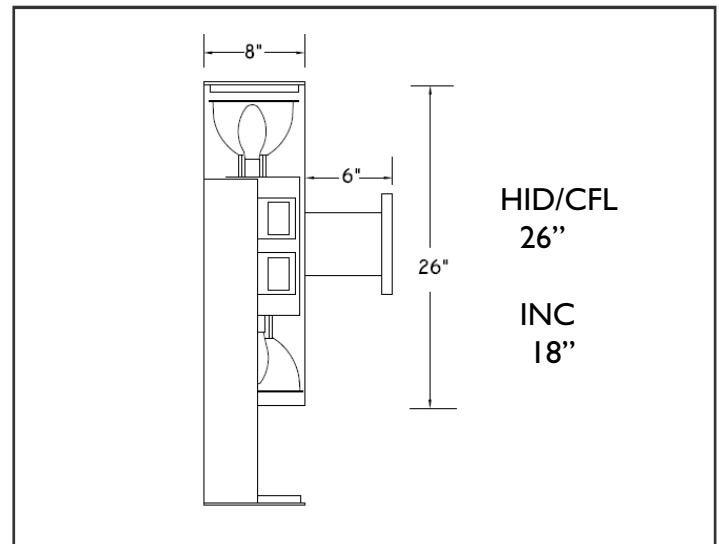
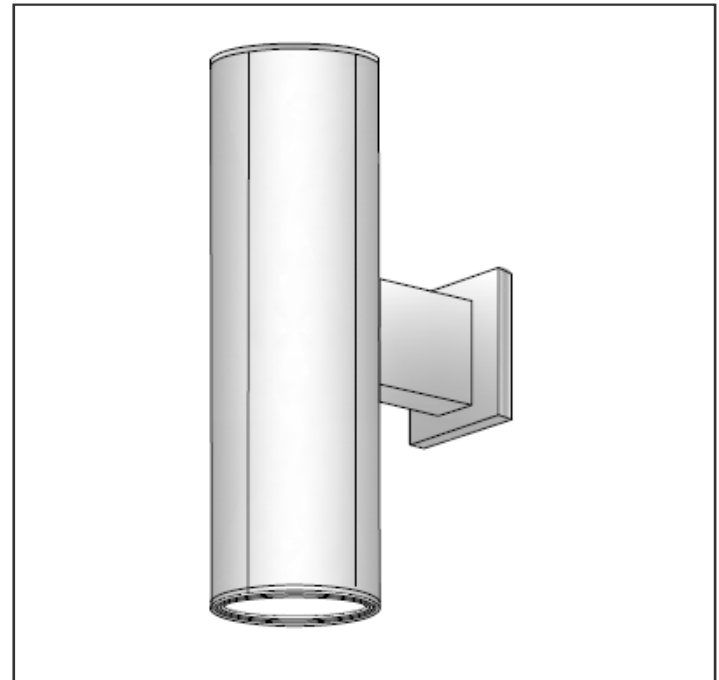
Optical System: Spun aluminum reflectors with specular low iridescent finish produces a smooth symmetrical distribution. Par lamps do not require reflectors.

Mounting Bracket: Extruded aluminum arm is internally welded to cast back plate. Arm is bolted to housing with two 3/8" bolts. Steel zinc plated bracket mounts to wall surface and is attached to the cast plate with two stainless steel fasteners.

Ballast/Lamp Assembly: HID ballast shall be high power factor and suitable for -20° F operation. CFL ballast are electronic uni-volt and operate a 26, 32 or 42 watt 4-pin lamp. HID and INC sockets are porcelain, medium base and pulse-rated.

Finish: Polyester powder coating on all metal parts. Color to be specified.

Listing: Luminaire is ETL listed for wet locations.



Specification Guide

| Series | Wattage/Lamp | Volts | Options | Finish |
|--------|-----------------------|-------|---|-------------------|
| YRW-2 | 150w/INC = 815I/Par38 | 120 | IF = Single Fuse | BZ = Bronze |
| | 26-42w/CFL = 842P | 208 | 2F = Double Fuse | BK = Black |
| | 70w/HPS = 807S | 240 | PH = Button Cell | WH = White |
| | 100w/HPS = 810S | 277 | QR = Quartz Relay | SL = Silver |
| | 70w/MH = 807H | 480 | PG = Prismatic Glass | CC = Custom Color |
| | 100w/MH = 810H | UV | OB = Open Bottom EMB = Emergency Ballast | |

Example: 100 Watt, Metal Halide, 120 Volts, Single Fuse, Bronze
YRW-2-810H-120/IF/BZ