

YRY 800 Series



Design Features

Housing: Four heavy gauge extruded aluminum sections interlock to form the cylinder housing. Three sections are welded to cast top cap and one section is welded to cast lens frame.

Lens Assembly: Clear heat tempered glass lens is sealed in regressed cast aluminum frame. The frame is welded to one section of housing which easily slides down for relamping by the removal of one screw. A safety chain secures frame. Par lamps are supplied with an open bottom "OB".

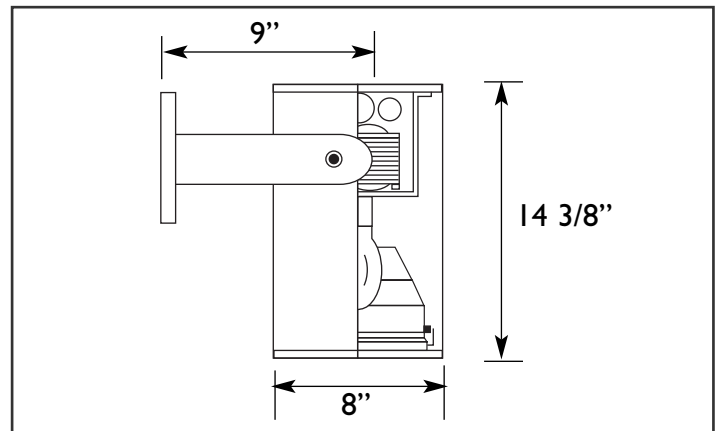
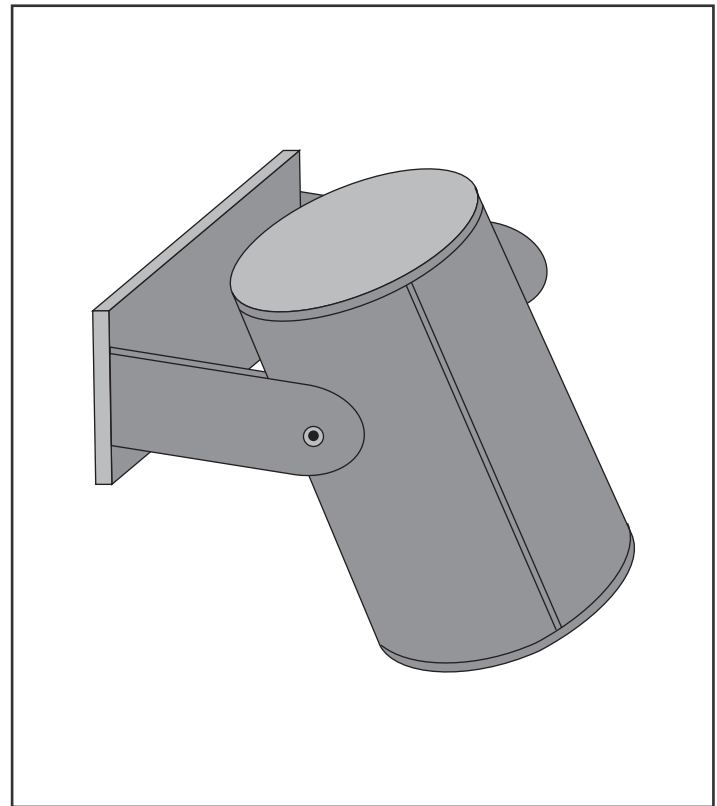
Optical System: Spun aluminum reflector with specular low iridescent finish produces a smooth symmetrical distribution. Par lamps do not require a reflector.

Mounting Bracket: Heavy gauge aluminum yoke bracket allows vertical adjustment up to 90°. Two flat head screws secure yoke to the housing. One 1/4-20 stainless steel set screw secures fixture in horizontal position.

Ballast/Lamp Assembly: HID ballast shall be high power factor and suitable for -20° F operation. CFL ballast are electronic uni-volt and operate a 26, 32 or 42 watt 4-pin lamp. HID and INC sockets are porcelain, medium base and pulse-rated. CFL sockets are thermoplastic.

Finish: Polyester powder coating on all metal parts. Color to be specified.

Listing: Luminaire is ETL listed for wet locations.



Specification Guide

Series	Wattage/Lamp	Volts	Options	Finish
YRY	26-42w/CFL = 842P	120	1F = Single Fuse	BZ = Bronze
	70w/HPS = 807S	208	2F = Double Fuse	BK = Black
	100w/HPS = 810S	240	PH = Button Cell	WH = White
	70w/MH = 807H	277	PG = Prismatic Glass	SL = Silver
	100w/MH = 810H	UV	QR = Quartz Relay	CC = Custom Color
	150w/INC = 815I/P38		OB = Open Bottom	

Example: 100 Watt, Metal Halide, 120 Volts, Single Fuse, Bronze
YRY-810H-120/1F/BZ