

Design Features

Housing: Aluminum body with welded top is attached to the back pan, which contains ballast and socket assembly with flush mounted stainless steel screws. Housing is threaded to accept 1/2" pendant.

Lens Assembly: Clear tempered glass lens is secured in the aluminum frame with four clips. Gasket is installed between the glass and the frame and between frame and housing. The assembly is secured to the housing with four flush stainless steel fasteners. Incandescent cylinders with Par lamps are supplied with open bottoms "OB".

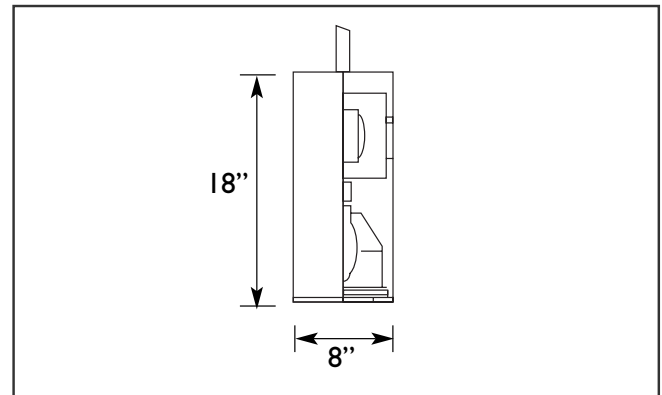
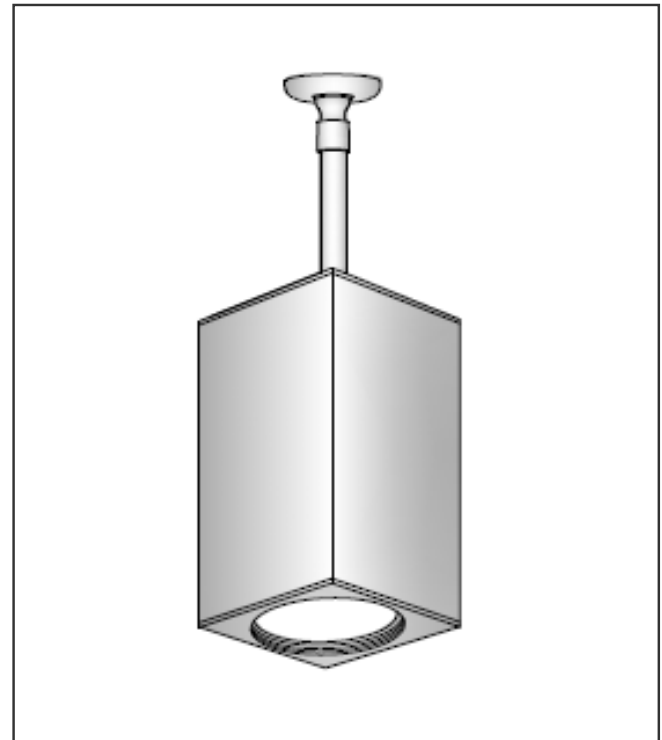
Optical System: Spun aluminum reflector with specular low iridescent finish produces a smooth symmetrical distribution. Incandescent Par lamps do not require reflectors.

Pendant Assembly: Extruded aluminum pendant is threaded for secure fit to housing cap. It is provided with a swivel canopy and universal bracket for mounting to J-Box. Pendant length must be specified when ordering.

Ballast/Lamp Assembly: HID ballast are high power factor and suitable for -20° F operation. CFL ballast are electronic with universal voltage and operate a 26, 32 or 42 watt 4-pin lamp. HID sockets are porcelain, medium base and pulse-rated. CFL sockets are thermoplastic. Optional with emergency ballast "EMB".

Finish: Polyester powder coating on all metal parts. Color to be specified.

Listing: Luminaire is ETL listed for wet locations.



Specification Guide

Series	Wattage/Lamp	Volts	Pendant	Options	Finish
YSP	26-42w/CFL = 842P	120	12"	1F = Single Fuse	BZ = Bronze
	150w/INC = 815I/Par38	208	24"	2F = Double Fuse	BK = Black
	70w/HPS = 807S	240	30"	PH = Button Cell	WH = White
	100w/HPS = 810S	277	36"	OB = Open Bottom	SL = Silver
	150w/HPS = 815S	UV	Other	PG = Prismatic Glass	CC = Custom Color
	70w/MH = 807H			QR = Quartz Relay	
	100w/MH = 810H			EMB = Emerg. Ballast	
	150w/MH = 815H				

Example: 100 Watt, Metal Halide, 120 Volts, 24" Pendant, Single Fuse, Bronze
YSP-810H-120/24"/1F/BZ