

# YSW 800 Series



## Design Features

**Housing:** Aluminum body with welded top is attached to the back pan, which contains ballast and socket assembly with flush mounted stainless steel screws.

**Lens Assembly:** Clear tempered glass lens is secured in the aluminum frame with four clips. Gasket is installed between the glass and the frame and between frame and housing. The assembly is secured to the housing with four flush stainless steel fasteners. Par lamps are supplied with open bottoms "OB".

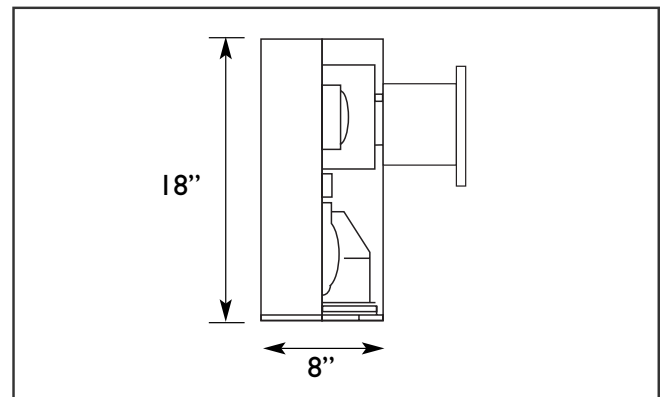
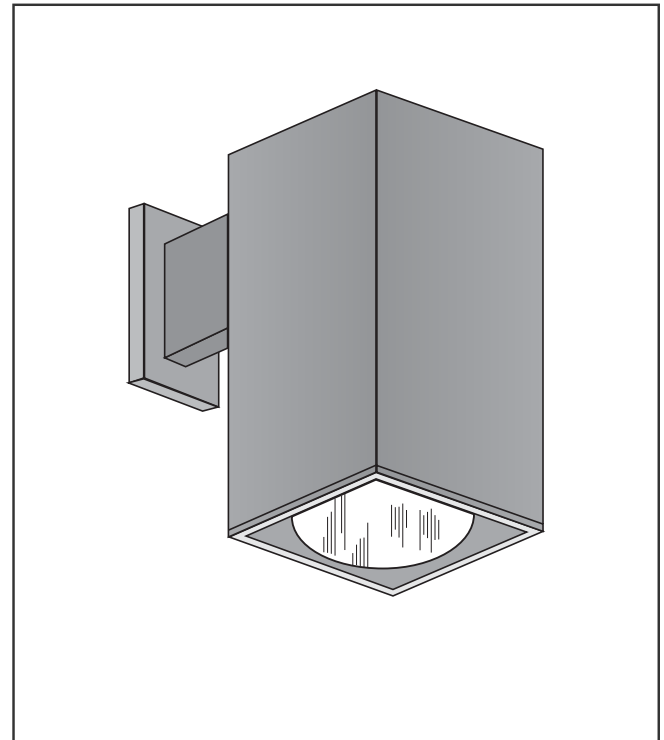
**Optical System:** Spun aluminum reflector with specular low iridescent finish produces a smooth symmetrical distribution. Par lamps do not require reflectors.

**Mounting Bracket:** Extruded aluminum arm is internally welded to cast back plate. Arm is bolted to housing with two 3/8" bolts. Steel zinc plated bracket mounts to wall surface and is attached to the cast plate with two stainless steel fasteners.

**Ballast/Lamp Assembly:** HID ballast are high power factor and suitable for -20° F operation. CFL ballast are electronic with universal voltage and operate a 26, 32 or 42 watt 4-pin lamp. HID sockets are porcelain, medium base and pulse-rated. CFL sockets are thermoplastic. Optional with emergency ballast "EMB".

**Finish:** Polyester powder coating on all metal parts. Color to be specified.

**Listing:** Luminaire is ETL listed for wet locations.



## Specification Guide

Series	Wattage/Lamp	Volts	Options	Finish
YSW	150w/INC = 815I/Par38	120	1F = Single Fuse	BZ = Bronze
	26-42w/CFL = 842P	208	2F = Double Fuse	BK = Black
	70w/HPS = 807S	240	PH = Button Cell	WH = White
	100w/HPS = 810S	277	QR = Quartz Relay	SL = Silver
	150w/HPS = 815S	UV	PG = Prismatic Glass	CC = Custom Color
	70w/MH = 807H		OB = Open Bottom	
	100w/MH = 810H		EMB = Emerg. Ballast	
	150w/MH = 815H			

**Example:** 100 Watt, Metal Halide, 120 Volts, Single Fuse, Bronze  
**YSW-810H-120/1F/BZ**