

Design Features

Housing: Heavy gauge aluminum housing is internally welded and sealed to prevent water entry or light leaks. Lens frame support is welded to housing and sealed. Two weep holes are in back of housing to allow water run off when used in wet locations. If luminaire is to be mounted down specify with "DM".

Lens Frame: Aluminum frame overlaps the housing and is secured with two stainless steel tamper resistant fasteners. Down mount frame is secured inside of the housing and is gasketed to prevent water and dust entry.

Lens: A clear heat tempered glass lens is sealed in the frame. Optional with frosted glass "FG" or white polycarbonate lens "WP".

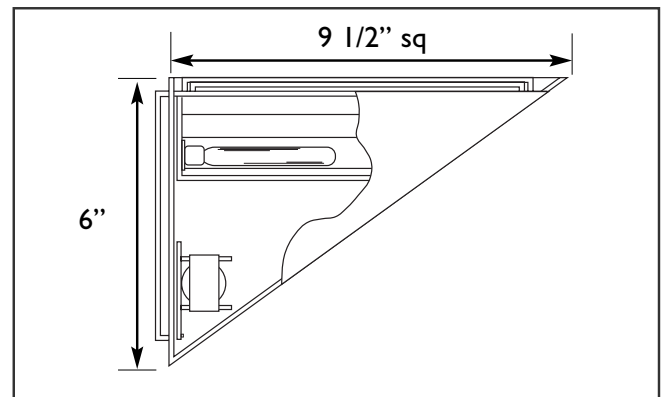
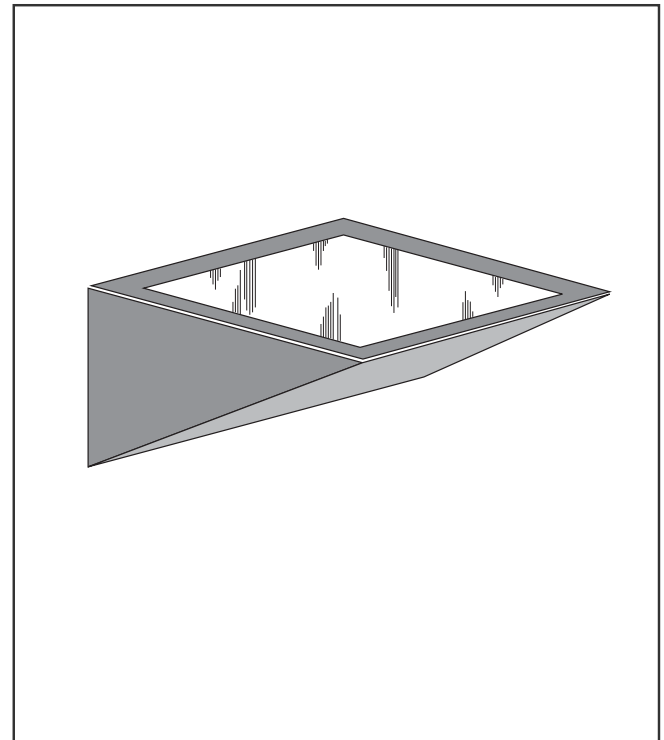
Optical System: Clear specular reflector is provided to help distribute the light in a smooth asymmetric distribution.

Ballast/Lamp Assembly: Electronic universal voltage ballast operates a 26, 32 or 42 watt 4-pin lamp. Double-contact bayonet socket is supplied for T-4 quartz lamps.

Mounting Bracket: Cast aluminum cover is bolted to housing. Cover slips over mounting plate which bolts to J-Box and wall surface. The cover acts as wiring box.

Finish: Polyester powder coating on all metal parts. Color to be specified.

Listing: Luminaire is ETL listed for wet locations.



Specification Guide

Series	Wattage/Lamp	Volts	Options	Finish
SB-1	26w/PLQ = 26P 32w/PLT = 32P 42w/PLT = 42P 100w/QZ = 10Q	120 UV	IF = Single Fuse PH = Button Cell DM = Down Mounting FG = Frosted Glass WP = White Polycarbonate	BZ = Bronze BK = Black WH = White SL = Silver CC = Custom Color

Example: 100 Watt, Quartz Lamp, 120 Volts, Single Fuse, Bronze
SB-110Q-120/IF/BZ