

Design Features

Housing: Heavy gauge aluminum housing is internally welded and sealed to prevent water entry or light leaks. Lens frame support is welded to housing and sealed. Two weep holes are in back of housing to allow water run off when used in wet locations. If luminaire is to be mounted down specify with "DM".

Lens Frame: Formed from extruded aluminum, the frame rests on the raised support frame in housing. This allows water to travel between lens frame and support frame and out the weep holes. Lens frame is gasketed and secured with two stainless steel tamper-proof fasteners.

Lens: A clear heat tempered glass lens is used for HID lamps and DR acrylic is used with PL lamps. The lens is sealed to the frame to prevent water entry.

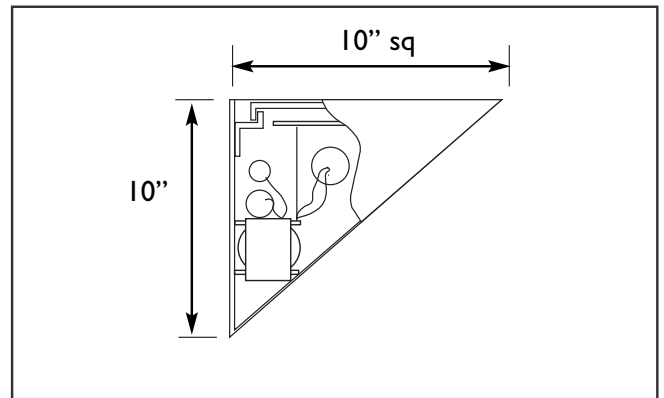
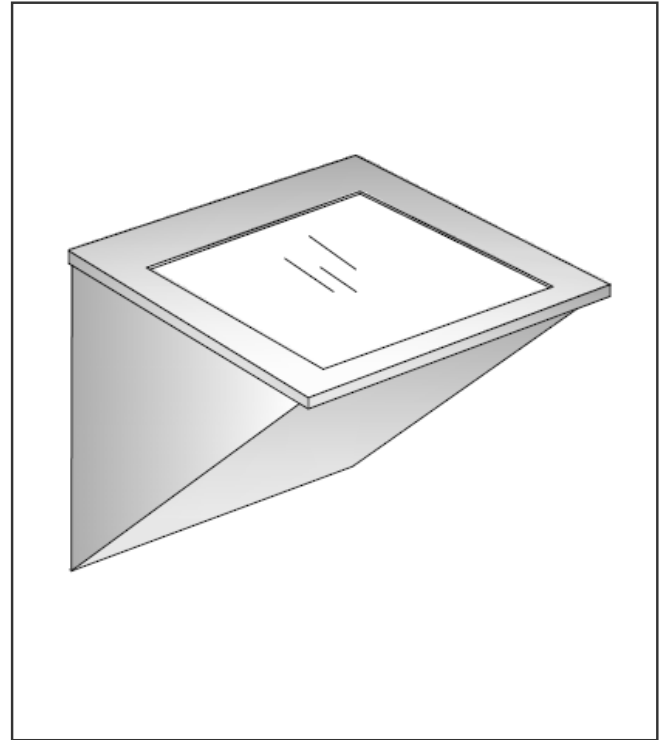
Optical System: Clear Specular reflector is provided to help distribute the light in a smooth asymmetric distribution.

Ballast/Lamp Assembly: HID ballast are high power factor. CFL ballast are electronic with universal voltage and operate a 26, 32 or 42 watt 4-pin lamp. HID sockets are porcelain, medium base and pulse-rated. CFL sockets are thermoplastic.

Mounting Bracket: Housing bolts directly to the wall. Unit should be sealed at wall when used outdoors.

Finish: Polyester powder coating on all metal parts. Color to be specified.

Listing: Luminaire is ETL listed for wet locations.



Specification Guide

Series	Wattage/Lamp	Volts	Options	Finish
SB-2	26w/PLQ = 26P	120	1F = Single Fuse	BZ = Bronze
	32w/PLT = 32P	208	2F = Double Fuse	BK = Black
	42w/PLT = 42P	240	PH = Button Cell	WH = White
	50w/MH = 05H	277	QR = Quartz Relay	SL = Silver
	70w/MH = 07H	UV	DM = Down Mounting	CC = Custom Color
	70w/HPS = 07S			
	50w/HPS = 05S			

Example: 70 Watt, Metal Halide, 120 Volts, Single Fuse, Bronze
SB-207H-120/1F/BZ