

## Design Features

**Housing:** Heavy gauge aluminum housing is internally welded and sealed to prevent water entry or light leaks. Lens frame support is welded to housing and sealed. Two weep holes are in back of housing to allow water run off when used in wet locations. If luminaire is to be mounted down specify with "DM".

**Lens Frame:** Formed from extruded aluminum, the frame rests on the raised support frame in housing. This allows water to travel between lens frame and support frame and out the weep holes. Lens frame is gasketed and secured with two stainless steel tamper-proof fasteners.

**Lens:** Clear heat tempered glass lens is gasketed and secured in the frame with (4) clips.

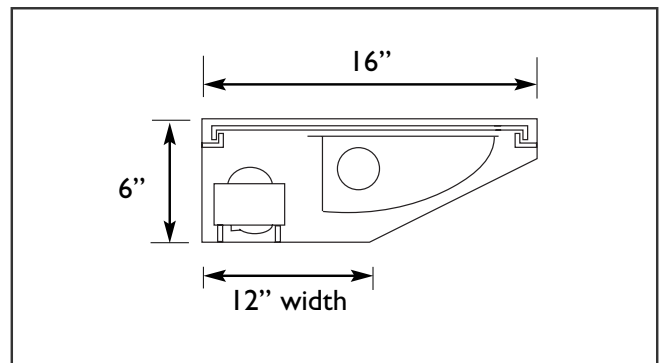
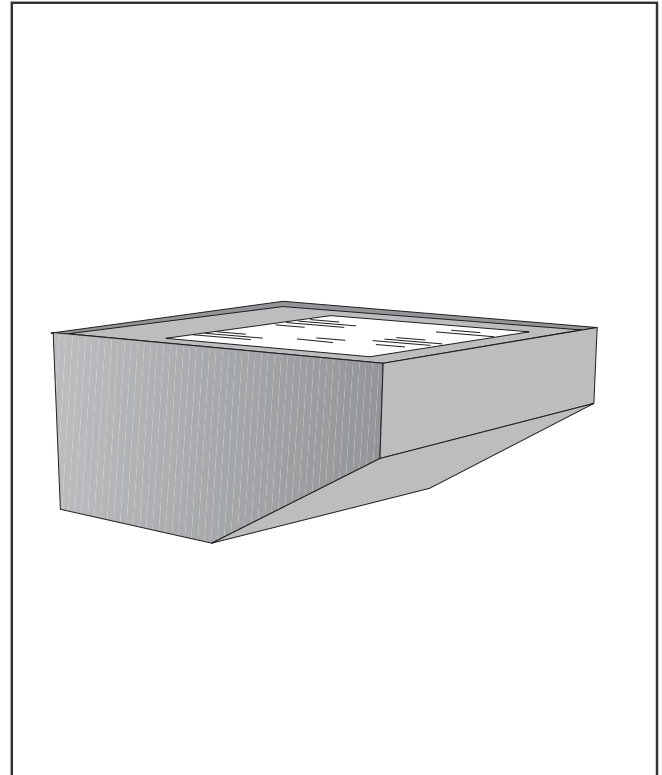
**Optical System:** Segmented reflector assembly combines specular and hammertone aluminum to produce a smooth forward throw distribution. Optional wide side to side throw is available. "WT"

**Ballast/Lamp Assembly:** HID ballast are high power factor and suitable for -20° F operation. CFL ballast are electronic with universal voltage and operate a 26, 32 or 42 watt 4-pin lamp. HID sockets are porcelain, medium base and pulse-rated. CFL are thermoplastic. Emergency ballast are optional "EMB".

**Mounting Bracket:** Housing bolts directly to wall. Unit should be sealed at wall when used outdoors.

**Finish:** Polyester powder coating on all metal parts. Color to be specified.

**Listing:** Luminaire is ETL listed for wet locations.



## Specification Guide

Series	Wattage/Lamp	Volts	Options	Finish
SC-1	26-42w/CFL = 42P	120	1F = Single Fuse	BZ = Bronze
	70w/HPS = 07S	208	2F = Double Fuse	BK = Black
	100w/HPS = 10S	240	PH = Button Cell	WH = White
	150w/HPS = 15S	277	QR = Quartz Relay	SL = Silver
	70w/MH = 07H	UV	DM = Down Mounting	CC = Custom Color
	100w/MH = 10H		WT = Wide Throw	
	150w/MH = 15H		EMB = Emerg. Ballast	

**Example:** 100 Watt, Metal Halide, 120 Volts, Single Fuse, Bronze  
**SC-110H-120/1F/BZ**