

Design Features

Housing: Heavy gauge aluminum housing is internally welded and sealed to prevent water entry or light leaks. Housing is bolted to aluminum ballast compartment.

Lens Frame: Formed from extruded aluminum, the frame rests on gasketed support frame in housing. Lens frame is secured to the housing with two stainless steel tamperproof fasteners.

Lens: Clear heat tempered glass lens is gasketed and secured in the frame with (4) clips.

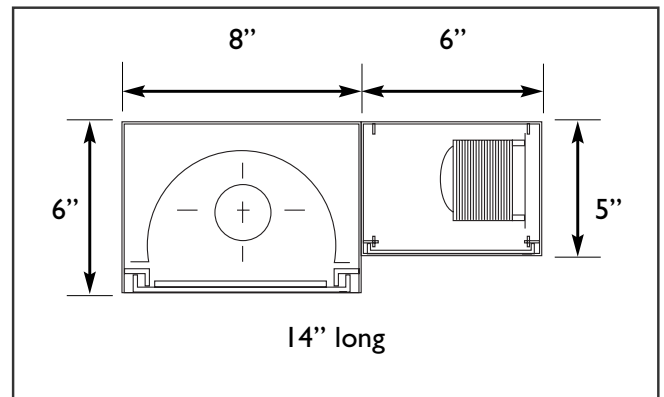
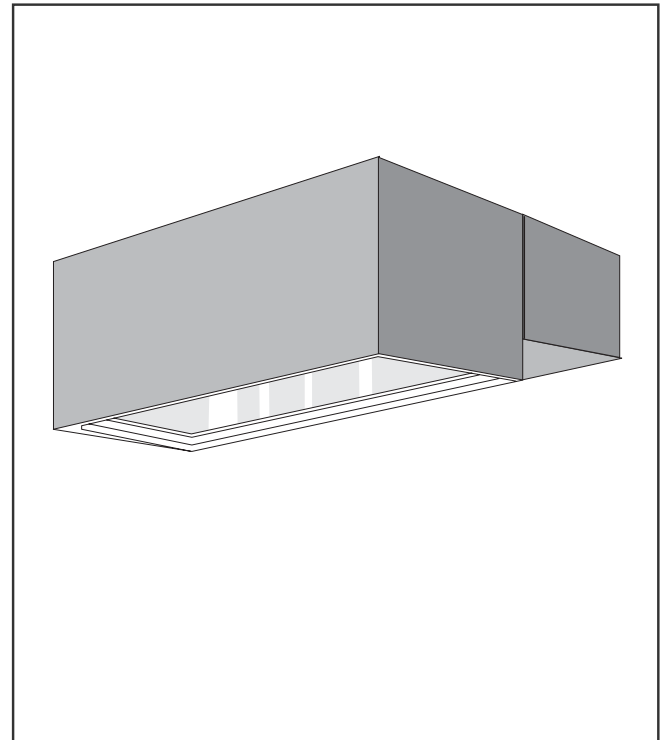
Optical System: Clear specular reflector is provided to help distribute the light in a smooth asymmetric distribution.

Ballast/Lamp Assembly: HID ballast are high power factor and suitable for -20° F operation. CFL ballast are electronic with universal voltage and operate one or two 26, 32 or 42 watt 4-pin lamps. HID sockets are porcelain, medium base and pulse-rated. CFL sockets are thermoplastic. Optional with emergency ballast "EMB".

Ballast Compartment: Aluminum ballast housing which is welded to fixture housing has removable cover to access ballast. Luminaire is designed to bolt to J-Box and wall surface.

Finish: Polyester powder coating on all metal parts. Color to be specified.

Listing: Luminaire is ETL listed for wet locations.



Specification Guide

Series	Wattage/Lamp	Volts	Options	Finish
SE-I	26-42w/CFL = 42P	120	1F = Single Fuse	BZ = Bronze
	2/26-42w/CFL = 2/42P	208	2F = Double Fuse	BK = Black
	70w/MH = 07H	240	PH = Button Cell	WH = White
	100w/MH = 10H	277	QR = Quartz Relay	SL = Silver
	150w/MH = 15H	UV	EMB = Emerg. Ballast	CC = Custom Color
	70w/HPS = 07S			
	100w/HPS = 10S			
	150w/HPS = 15S			

Example: 100 Watt, Metal Halide, 120 Volts, Single Fuse, Bronze
SE-I10H-120/1F/BZ