

SF 200 Series



Design Features

Face Plate: Formed from one sheet of aluminum, the cage is machined and rolled as one unit. Full length lens supports are internally welded to cage. The face plate secures to the mounting pan with stainless steel fasteners.

Lens: An opal polycarbonate lens which has been UV stabilized for longer life is secured to face-plate. Optional up and down lens are available.

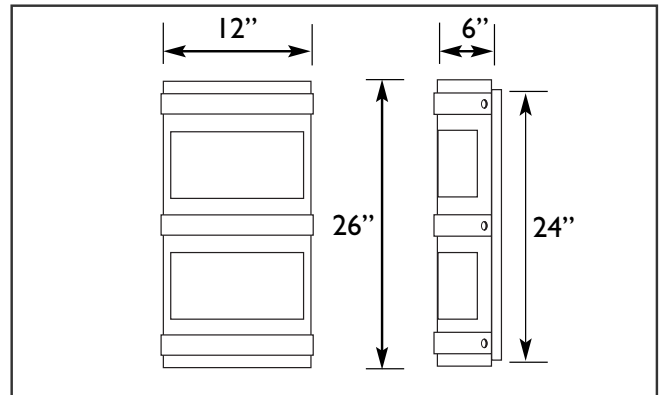
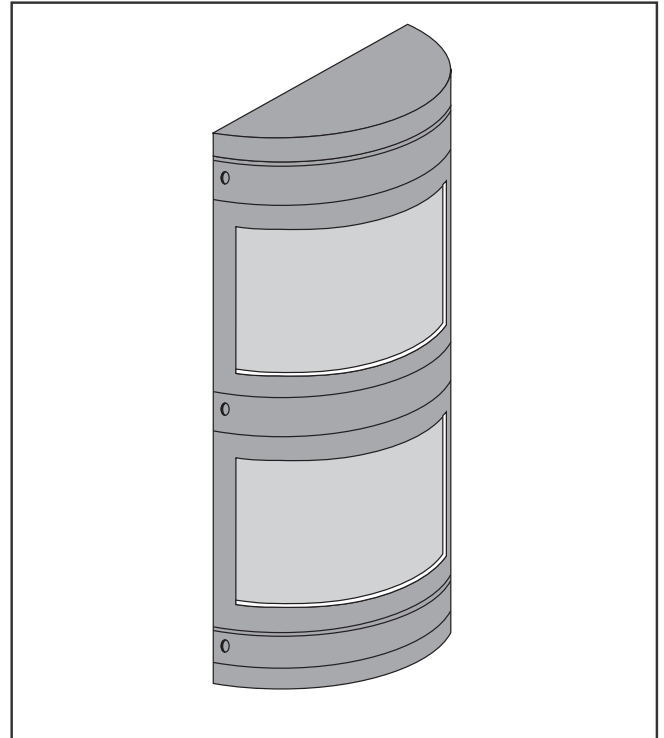
Optical System: Clear specular reflector is provided to help distribute the light in a smooth asymmetric distribution.

Ballast/Lamp: All ballast are electric with universal voltage. CFL ballast operate two 26, 32 or 42 watt 4-pin lamps. Ballast module consists of two ballast assemblies mounted to the back pan. To prevent any shadows the ballast are located in upper and lower caps. HID sockets are porcelain, pulse-rated and medium base. CFL sockets are thermoplastic.

Mounting Module: 11 gauge steel pan is zinc plated to be mounted to wall surface.

Finish: Polyester powder coating on all metal parts. Color to be specified.

Listing: Luminaire is ETL listed for wet locations.



Specification Guide

Series	Wattage/Lamp	Volts	Options	Finish
SF-2	26-42w/CFL = 42P 50w/MH = 05H 70w/MH = 07H	UV	1F = Single Fuse 2F = Double Fuse PH = Button Cell UD = Up & Down Light	BZ = Bronze BK = Black WH = White SL = Silver CC = Custom Color

Example: 70 Watt, Metal Halide, 120 Volts, Single Fuse, Bronze
SF-207H-120/1F/BZ