

# SH 100 Series



## Design Features

**Housing:** Heavy gauge cast aluminum housing is secured to the ballast compartment with two stainless steel bolts. Housing is field adjustable from zero to ten degrees by loosening two exterior fasteners.

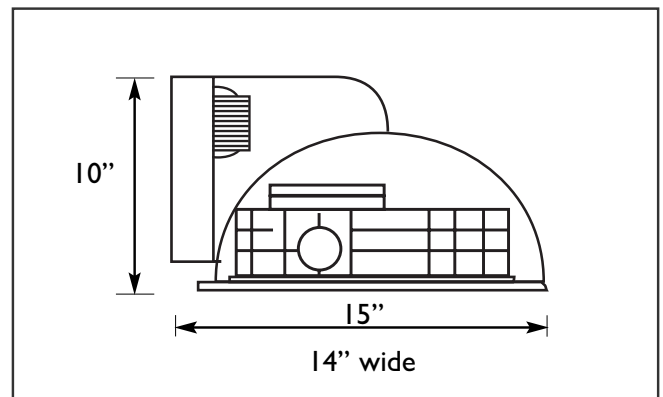
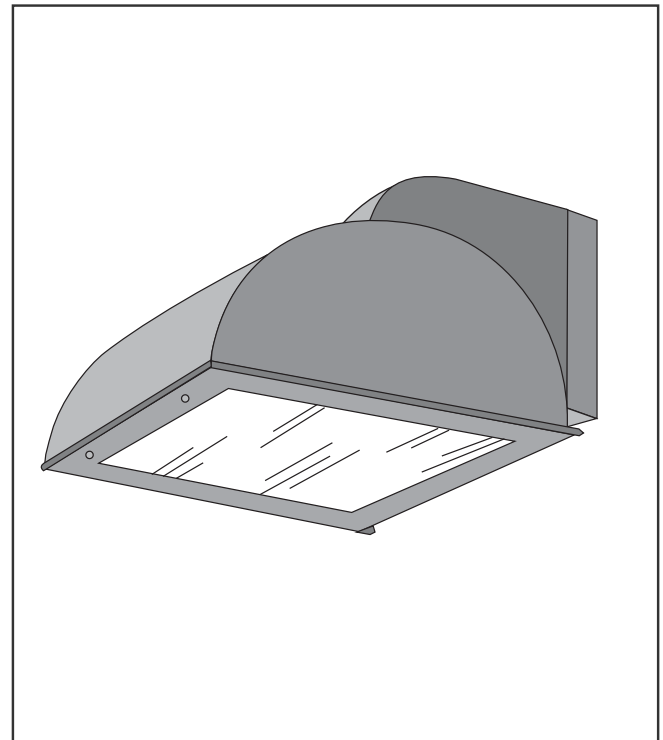
**Lens Frame:** Cast aluminum hinged frame is secured to the housing with two stainless steel fasteners. Clear tempered glass is gasketed and attached to the frame with four clips.

**Reflector:** Segmented reflector provides a smooth forward throw distribution. Reflector mounts in the housing and is supplied with a quick disconnect fastener. Wide thrown distribution "WT" is optional.

**Ballast/Lamp Assembly:** HID ballast shall be high power factor and suitable for -20°F operation. Compact fluorescent ballast are electronic with universal voltage and operate two 42, 57 or 70 watt PLT lamps. The ballast module is attached to the cast wall plate with two fasteners. Porcelain, pulse-rated mogul base sockets are supplied when available for HID lamps. Medium base sockets will be supplied with all other HID lamps. CFL sockets are thermoplastic. Optional with cold weather emergency ballast for 42 watt lamp.

**Finish:** Polyester powder coating. Specify the color.

**Listing:** Luminaire is ETL listed for wet locations.



## Specification Guide

Series	Wattage/Lamp	Volts	Options	Finish
SH-1	2/42w/CFL = 2/42P	120	1F = Single Fuse	BZ = Bronze
	2/57w/CFL = 2/57P	208	2F = Double Fuse	BK = Black
	2/70w/CFL = 2/70P	240	PH = Photo Cell	WH = White
	150w/MH = 15H	277	QR = Quartz Relay	SL = Silver
	250w/MH = 25H	480	WG = Wire Guard	CC = Custom Color
	400w/MH = 40H	UV	5SH = 5° Shield	
	150w/HPS = 15S		UM = UpMount	
	250w/HPS = 25S		EMB = Emerg. Ballast	
	400w/HPS = 40S			

**Example:** 100 Watt, Metal Halide, 120 Volts, Single Fuse, Bronze  
**SH-110H-120/1F/BZ**