

SK 300 Series



Design Features

Housing: Formed from heavy gauge aluminum, the housing is curved with lens frame internally welded in place. Housing secures to the mounting plate with (4) stainless steel fasteners.

Lens: Clear tempered glass is secured in the housing with three (3) retaining clips. Optional up light is available "UL", in either 50% or 10%.

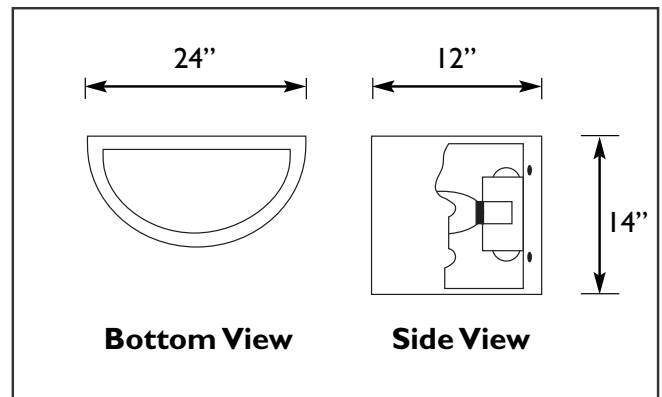
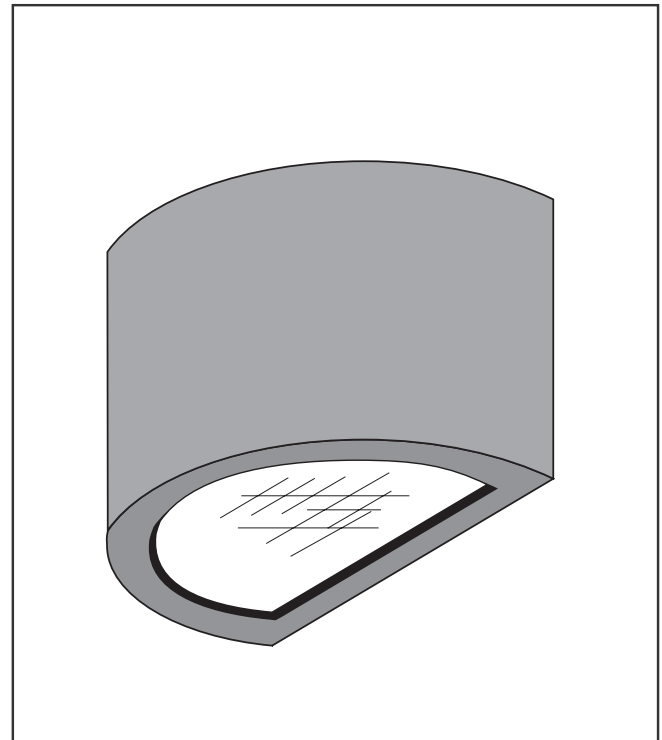
Optical System: Segmented reflector assembly combines specular and hammertone aluminum to produce a smooth forward throw distribution. Optional wide side to side throw is available. "WT"

Mounting Plate: Heavy gauge .125 wall aluminum plate bolts to the wall. Ballast module and housing are attached to the plate.

Ballast/Lamp Assembly: HID ballast shall be high power factor and suitable for -20° F operation. CFL ballast are electronic with universal voltage and operate two 26, 32 or 42 watt 4-pin lamps. Optional with integral emergency ballast "EMB". HID sockets are porcelain, pulse-rated and medium base through 150w and mogul base for 250w. CFL sockets are thermoplastic.

Finish: Polyester powder coating on all metal parts. Color to be specified.

Listing: Luminaire is ETL listed for wet locations.



Specification Guide

Series	Wattage/Lamp	Volts	Options	Finish
SK-3	2/26-42w/CFL = 2/42P	120	1F = Single Fuse	BZ = Bronze
	100w/HPS = 10S	208	2F = Double Fuse	BK = Black
	150w/HPS = 15S	240	PH = Button Cell	WH = White
	250w/HPS = 25S	277	QR = Quartz Relay	SL = Silver
	70w/MH = 07H	480	UL/10 = 10% UP	CC = Custom Color
	100w/MH = 10H	UV	UL/50 = 50% UP	
	150w/MH = 15H		WT = Wide Throw	
	250w/MH = 25H		EMB = Emergency Ballast	

Example: 100 Watt, Metal Halide, 120 Volts, Single Fuse, Bronze
SK-310H-120/1F/BZ