

# SV 100 Series



## Design Features

**Housing:** Heavy gauge aluminum housing is internally welded and sealed to prevent water entry or light leaks. Housing is bolted directly to the wall.

**Lens Frame:** Formed from extruded aluminum, the frame rests on gasketed support frame in housing. Lens frame is secured to the housing with two stainless steel tamper proof fasteners.

**Lens:** Clear heat tempered glass lens is gasketed and secured in the frame with (4) clips.

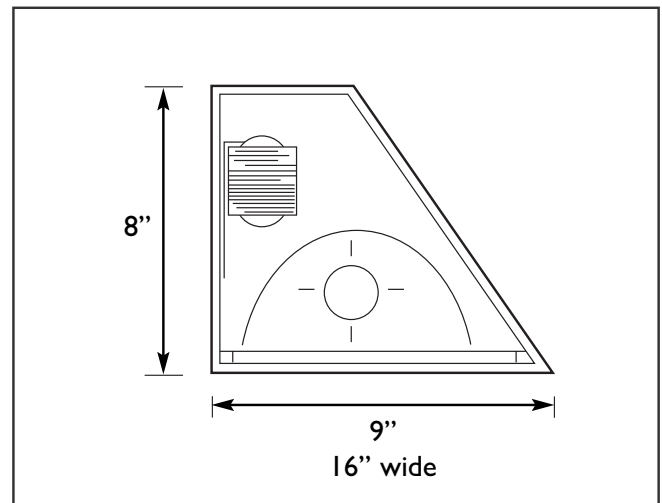
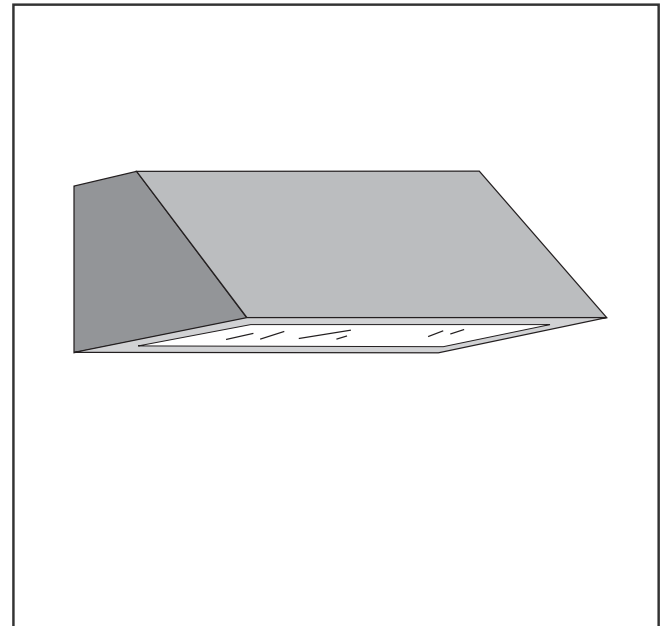
**Optical System:** Segmented reflector assembly combines specular and hammertone aluminum to produce a smooth forward throw distribution. Optional wide side to side throw is available. "WT"

**Ballast/Lamp Assembly:** HID ballast are high power factor and suitable for -20° F operation. CFL ballast are electronic with universal voltage and operate a 26, 32 or 42 watt 4-pin lamp. HID sockets are porcelain, medium base and pulse-rated. CFL sockets are thermoplastic. Optional with emergency ballast "EMB".

**Mounting Bracket:** Housing bolts directly to wall. Unit should be sealed at wall when used outdoors.

**Finish:** Polyester powder coating on all metal parts. Color to be specified.

**Listing:** Luminaire is ETL listed for wet locations.



## Specification Guide

| Series | Wattage/Lamp     | Volts | Options              | Finish            |
|--------|------------------|-------|----------------------|-------------------|
| SV-I   | 26-42w/CFL = 42P | 120   | 1F = Single Fuse     | BZ = Bronze       |
|        | 70w/MH = 07H     | 208   | 2F = Double Fuse     | BK = Black        |
|        | 100w/MH = 10H    | 240   | PH = Button Cell     | WH = White        |
|        | 150w/MH = 15H    | 277   | UL/10 = 10% Up Light | SL = Silver       |
|        | 70w/HPS = 07S    | UV    | WT = Wide Throw      | CC = Custom Color |
|        | 100w/HPS = 10S   |       | EMB = Emerg. Ballast |                   |
|        | 150w/HPS = 15S   |       |                      |                   |

**Example:** 100 Watt, Metal Halide, 120 Volts, Single Fuse, Bronze  
**SV-I10H-120/1F/BZ**