

SV 200 Series



Design Features

Housing: Heavy gauge aluminum housing is internally welded and sealed to prevent water entry or light leaks. Housing is bolted directly to the wall.

Lens Frame: Formed from extruded aluminum, the frame rests on gasketed support frame in housing. Lens frame is secured to the housing with two stainless steel tamper proof fasteners.

Lens: Clear heat tempered glass lens is gasketed and secured in the frame with (4) clips.

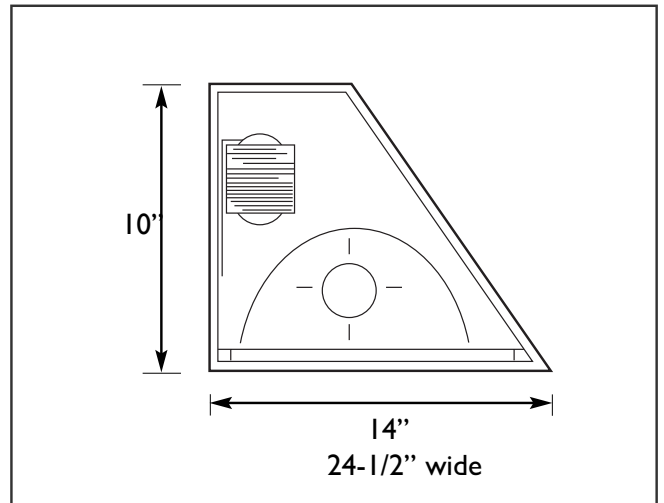
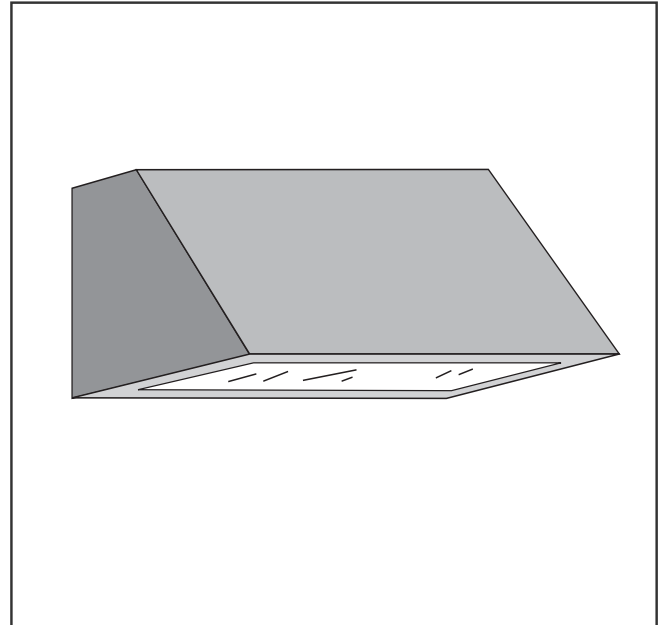
Optical System: Segmented reflector assembly combines specular and hammertone aluminum to produce a smooth forward throw distribution. Optional wide side to side throw is available. "WT"

Ballast/Lamp Assembly: All ballast shall be high power factor and suitable for -20° F operation. The ballast module is easily removable for maintenance. Lamp sockets shall be porcelain, mogul base and pulse-rated.

Mounting Bracket: Housing bolts directly to wall. Unit should be sealed at wall when used outdoors.

Finish: Polyester powder coating on all metal parts. Color to be specified.

Listing: Luminaire is ETL listed for wet locations.



Specification Guide

| Series | Wattage/Lamp | Volts | Options | Finish |
|--------|----------------|-------|----------------------|-------------------|
| SV-2 | 150w/MH = 15H | 120 | 1F = Single Fuse | BZ = Bronze |
| | 250w/MH = 25H | 208 | 2F = Double Fuse | BK = Black |
| | 400w/MH = 40H | 240 | PH = Button Cell | WH = White |
| | 150w/HPS = 15S | 277 | QR = Quartz Relay | SL = Silver |
| | 250w/HPS = 25S | UV | UL/10 = 10% Up Light | CC = Custom Color |
| | 400w/HPS = 40S | | WT = Wide Throw | |

Example: 250 Watt, Metal Halide, 120 Volts, Single Fuse, Bronze
SV-225H-120/1F/BZ