

SV 300 Series



Design Features

Housing: Heavy gauge aluminum housing is internally welded and sealed to prevent water entry or light leaks.

Lens Frame: Cast aluminum lens frame is gasketed at the housing. Frame is secured to the housing with two stainless steel tamper resistant fasteners.

Lens: Clear heat tempered glass lens is gasketed and secured in the frame with (4) clips.

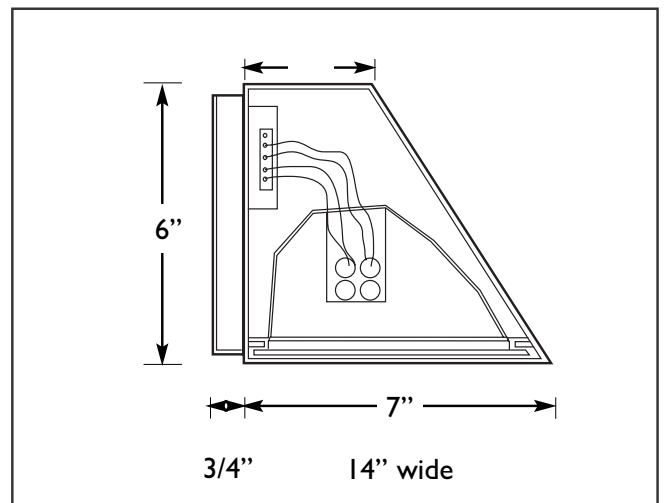
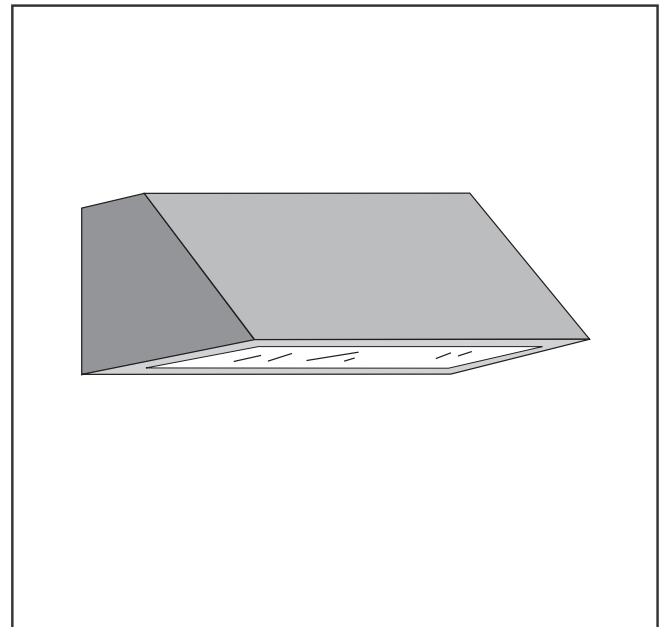
Optical System: Segmented reflector assembly combines specular and hammertone aluminum to produce a smooth forward throw distribution.

Ballast/Lamp: All CFL ballast shall be electronic with universal input voltage from 120 to 277V, at 50 or 60Hz. The sockets are Leviton 4-pin design. They have a white thermoplastic body with quick-connect push-in wiring terminals.

Mounting Bracket: Cast aluminum cover is bolted to housing. Cover slips over mounting plate which bolts to J-Box and wall surface.

Finish: Polyester powder coating on all metal parts. Color to be specified.

Listing: Luminaire is ETL listed for wet locations.



Specification Guide

Series	Wattage/Lamp	Volts	Options	Finish
SV-3	13w/PLQ = 13P 18w/PLQ = 18P 26w/PLQ = 26P 32w/PLT = 32P 42w/PLT = 42P 57w/PLT = 57P	UV	FG = Frosted Glass PG = Prismatic Glass IF = Single Fuse PH = Button Cell last	BZ = Bronze BK = Black WH = White SL = Silver CC = Custom Color

Example: 42 Watt, Compact Fluorescent, 277 Volt, Bronze
SV-342P-277/BZ