

SW 100 Series



Design Features

Housing: Heavy duty aluminum housing is internally welded and sealed. Extruded aluminum channel is welded to back of the housing which bolts directly to the wall.

Lens Frame: Formed from extruded aluminum, the frame rests on gasketed support frame in housing. Lens frame is secured to the housing with three stainless steel tamper proof fasteners.

Lens: Clear heat tempered glass lens is gasketed and secured in the frame with (3) clips.

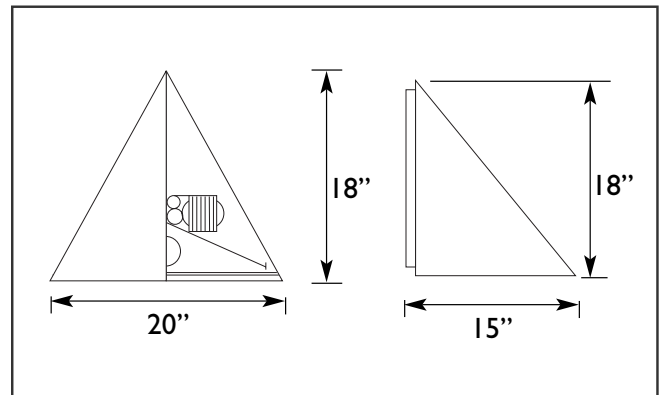
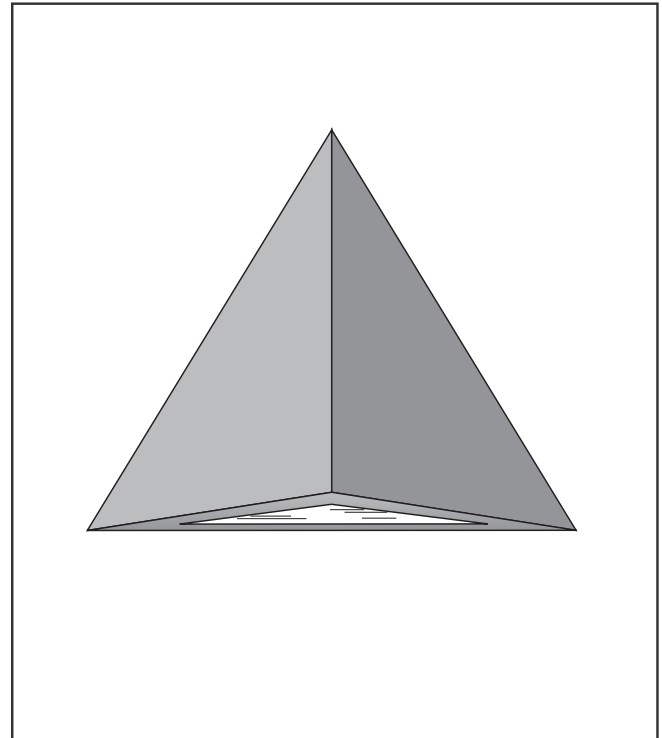
Optical System: Segmented reflector assembly combines specular and hammertone aluminum to produce a smooth forward throw distribution. Optional wide side to side throw is available. "WT"

Ballast/Lamp Assembly: HID ballast are high power factor and suitable for -20° F operation. CFL ballast are electronic with universal voltage and operate two 26, 32 or 42 watt 4-pin lamps. HID sockets are porcelain, medium base and pulse-rated. CFL sockets are thermoplastic. Optional with emergency ballast "EMB".

Mounting Bracket: Housing bolts directly to the wall and should be sealed at the wall for exterior use. Short extruded arm and bolts are provided for pole mounted luminaires. Optional up mount "UM" or pole mount "PM".

Finish: Polyester powder coating on all metal parts. Color to be specified.

Listing: Luminaire is ETL listed for wet locations.



Specification Guide

Series	Wattage/Lamp	Volts	Options	Finish
SW-1	2/26-42w/CFL = 42P	120	1F = Single Fuse	BZ = Bronze
	70w/HPS = 07S	208	2F = Double Fuse	BK = Black
	100w/HPS = 10S	240	PH = Button Cell	WH = White
	150w/HPS = 15S	277	PM = Pole Mount	SL = Silver
	70w/MH = 07H	UV	QR = Quartz Relay	CC = Custom Color
	100w/MH = 10H		WT = Wide Throw	
	150w/MH = 15H		UM = Up Mount	
			EMB = Emerg. Ballast	

Example: 100 Watt, Metal Halide, 120 Volts, Single Fuse, Bronze
SW-110H-120/1F/BZ