

SX 100 Series



Design Features

Housing: Formed from heavy gauge aluminum, the housing is curved with lens frame internally welded in place. Housing secures to the mounting plate with four (4) stainless steel fasteners.

Lens: Clear tempered glass is secured in the housing with three (3) retaining clips.

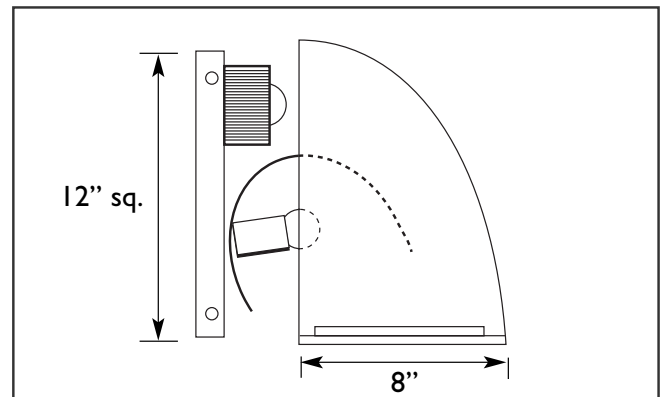
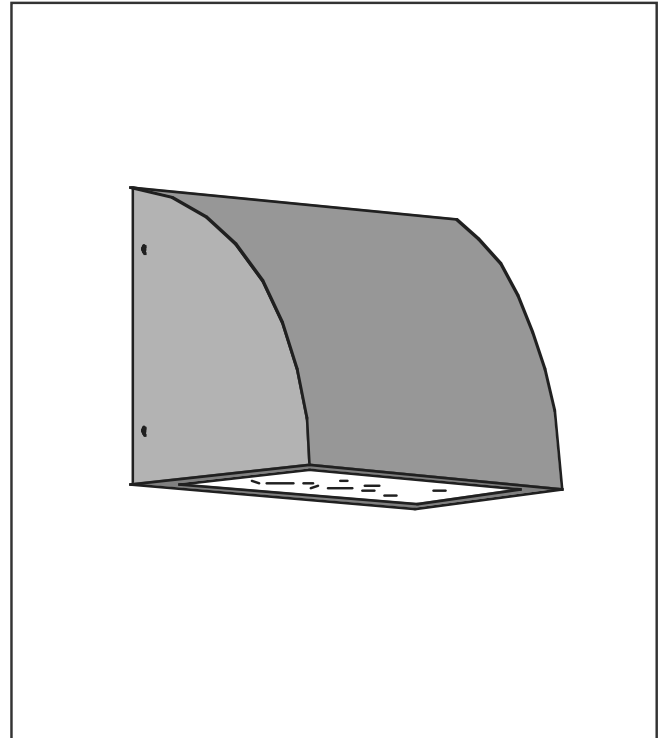
Optical System: Segmented reflector assembly combines specular and hammertone aluminum to produce a smooth forward throw distribution. Optional wide side to side throw is available. "WT"

Mounting Plate: Heavy gauge .125 wall aluminum plate bolts to the wall. Ballast module and housing are attached to the plate. Optional up mount "UM".

Ballast/Lamp Assembly: HID ballast are high power factor and suitable for -20° F operation. CFL ballast are electronic with universal voltage and operate a 26, 32 or 42 watt 4-pin lamp. HID sockets are porcelain, medium base and pulse-rated. CFL sockets are thermoplastic. Optional with emergency ballast "EMB".

Finish: Polyester powder coating on all metal parts. Color to be specified.

Listing: Luminaire is ETL listed for wet locations.



Specification Guide

Series	Wattage/Lamp	Volts	Options	Finish
SX-1	26-42w/CFL = 42P	120	1F = Single Fuse	BZ = Bronze
	70w/HPS = 07S	208	2F = Double Fuse	BK = Black
	100w/HPS = 10S	240	PH = Button Cell	WH = White
	150w/HPS = 15S	277	QR = Quartz Relay	SL = Silver
	70w/MH = 07H	UV	UM = Up mount	CC = Custom Color
	100w/MH = 10H		WT = Wide Throw	
	150w/MH = 15H		EMB = Emerg. Ballast	

Example: 100 Watt, Metal Halide, 120 Volts, Single Fuse, Bronze
SX-110H-120/1F/BZ