

Design Features

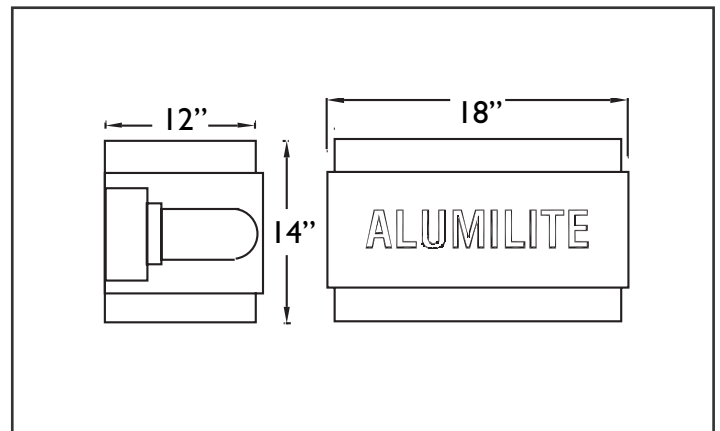
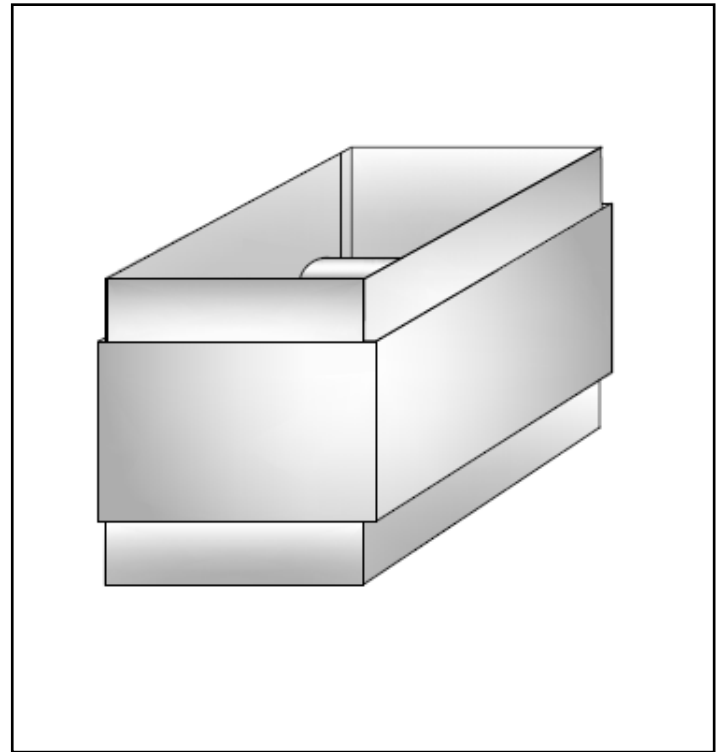
Housing/Accent Bands: Heavy duty aluminum housing with upper and lower accent bands is secured to the wall with two bolts. (Bolts supplied by installer.) Accent bands are available in a different color than the main housing. Specify color of bands if different from housing. For a laser cut logo in the housing, contact a factory representative.

Lens Assembly: Prismatic tempered glass enclosure is standard. Threaded adapter secures the glass and is secured to the ballast compartment cover.

Ballast/Socket: Electronic ballast are universal voltage. CFL ballast operates a 26 or 32 watt 4-pin lamp. HID sockets are porcelain, medium base and pulse rated. CFL sockets are thermoplastic.

Finish: Polyester powder coating on all metal parts. Color to be specified.

Listing: Luminaire is ETL listed for wet locations, UL 1598 and Canadian CSA Std. C22.2 No. 250.0.



Specification Guide

Series	Wattage/Lamp	Volts	Options	Finish
SZ-1	26w/CFL = 26P 32w/CFL = 32P 70w/MH = 07H 100w/MH = 10H	UV	1F = Single Fuse 2F = Double Fuse CL = Custom Logo	BZ = Bronze BK = Black WH = White SL = Silver CC = Custom Color

Example: 100 Watt, Metal Halide, 120 Volts, Single Fuse, Bronze
SZ-110H-UV/1F/BZ