

## Design Features

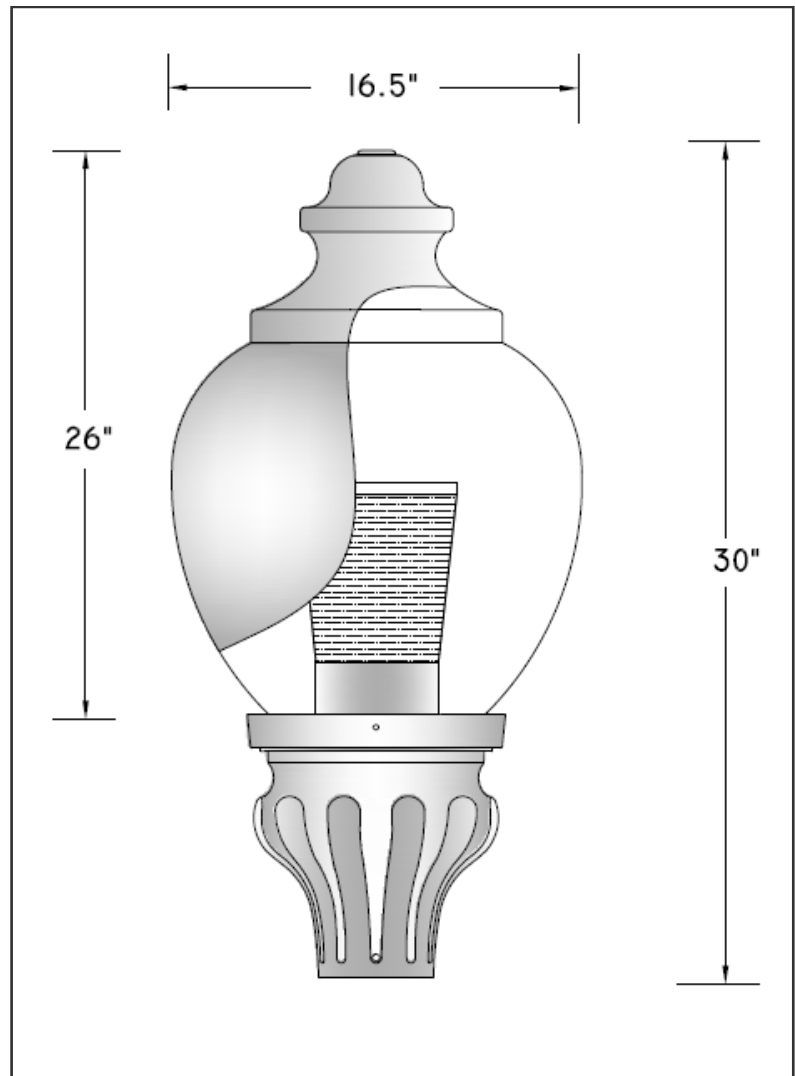
**Housing:** One piece high strength polycarbonate acorn is 16" in diameter with a clear textured finish. All acorns are UV stabilized for longer life.

**Fitter:** Decorative cast aluminum holder provides strength and durability. Acorn is secured to the fitter and to 3" diameter pole with stainless steel fasteners.

**Ballast/Lamp Assembly:** All ballast shall have a high power factor and be suitable for -20° F operation. Porcelain pulse-rated socket is attached to fitter assembly. Medium base used through 100 watt lamps.

**Finish:** Polyester powder coating on all metal parts. Color to be specified.

**Listing:** Luminaire is ETL listed for wet locations.



## Specification Guide

Series	Size	Wattage/Lamp	Volts	Options	Finish
AC	24"	70w/HPS = 2407S	120	RF = Refractor	BZ = Bronze
		100w/HPS= 2410S	208	WM = Wall Mounting	BK = Black
		150w/HPS= 2415S	240	2A = Twin Assembly	WH = White
		250w/HPS= 2425S	277	3A = Triple Assembly	SL = Silver
		70w/MH = 2407H	480	4A = Quad Assembly	CC = Custom Color
		100w/MH = 2410H		TR = Tiered Reflectors	
		150w/MH = 2415H			
		250w/MH = 2425H			

**Example:** 100 Watt, Metal Halide, 120 Volts, Single Fuse, Bronze  
**AC-2410H-120/IF/BZ**