

## Design Features

**Housing:** Heavy duty aluminum housing is internally welded and sealed. Lens frame support is welded in housing and gasketed.

**Lens Frame:** Formed aluminum frame is hinged at pole side and secured with four fasteners. Clear tempered glass is gasketed and attached to frame with four clips.

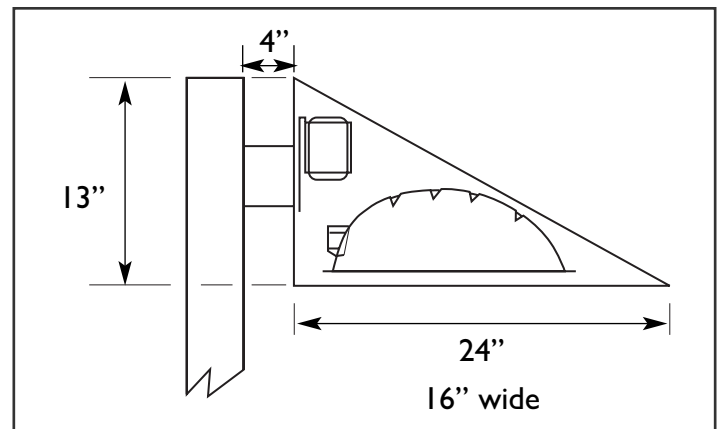
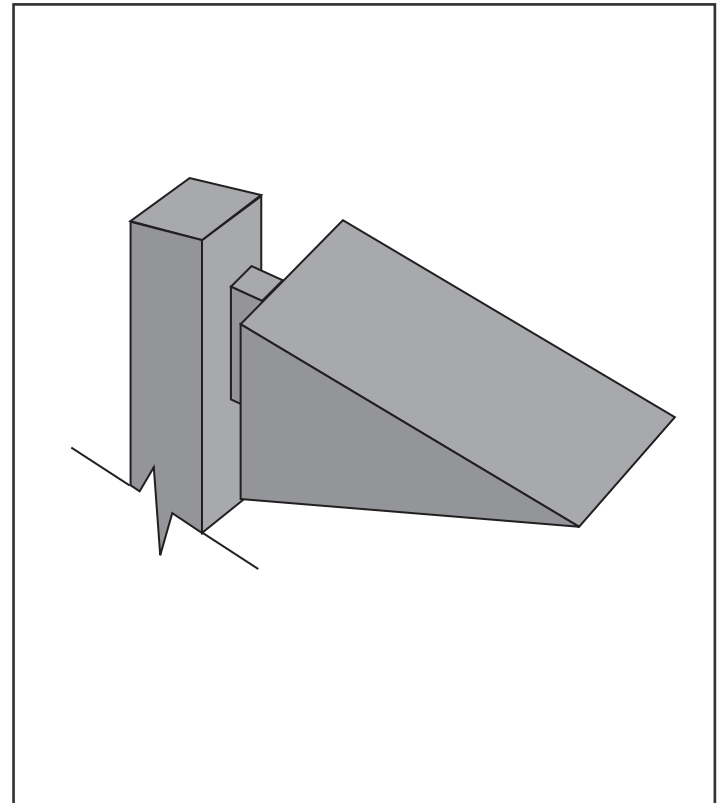
**Optical Assembly:** Hydroformed aluminum reflector provides an IES Type III distribution.

**Mounting Bracket:** Extruded aluminum arm is provided with two 1/2" threaded rods to bolt housing to the square pole.

**Ballast/Lamp Assembly:** HID ballast shall be high power factor and suitable for -20°F operation. CFL ballast are electronic uni-volt and operate (2) 26, 32 or 42 watt 4-pin lamps. HID sockets are porcelain, pulse-rated and medium base. CFL sockets are thermoplastic.

**Finish:** Polyester powder coating on all metal parts. Color to be specified.

**Listing:** Luminaire is ETL listed for wet locations.



## Specification Guide

Series	Wattage/Lamp	Volts	Options	Finish
AM-I	100w/MH = 10H	120	IF = Single Fuse	BZ = Bronze
	150w/MH = 15H	208	2F = Double Fuse	BK = Black
	100w/HPS = 10S	240	PH = Button Cell	WH = White
	150w/HPS = 15S	277	QR = Quartz Relay	SL = Silver
	2-42w/CFL = 2/42P	480		CC = Custom Color
		UV		

**Example:** 150 Watt, Metal Halide, Single Fuse, Bronze  
**AM-I 15H-120/IF/BZ**