

Design Features

Housing: Heavy gauge spun aluminum shroud has an internal door frame support welded to the housing.

Lens Assembly: Spun aluminum door frame with heat tempered glass is gasketed and secured to the housing with three stainless steel fasteners.

Optical Assembly: Hydroformed reflector produces a type 3 distribution for HID and QL. Optional with forward throw distribution "FT" for HID only.

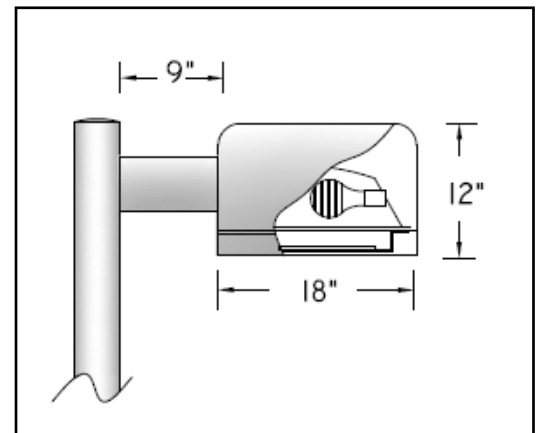
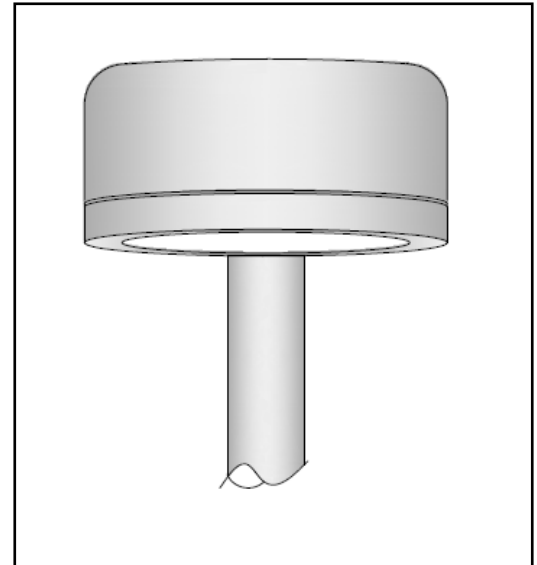
Mounting Bracket: Extruded aluminum arm is secured to housing and pole with two 3/8" steel bolts. Optional wall "WM" or pendant mount "PDM".

Ballast/Socket: Nedap compact lightweight, high-frequency QL systems are available in 55w/3500lm, 85w/6000lm and 165w/12000lm. Systems are driven by specific voltage generators. QL are available in 3000, 3500 and 4000k. HID ballast are high power factor and suitable for operation in -20°F. HID sockets are porcelain, medium base and pulse rated.

Pole: Extruded round straight aluminum poles are 4" diameter with .125 wall. Shaft is welded to cast base plate and provided with hand hole, base cover and anchor bolts. Part number for 12 foot tall pole is RSA-12-4-5.

Finish: Polyester powder coating on all metal parts. Color to be specified.

Listing: Luminaire is ETL listed for wet locations.



Specification Guide

Series	Wattage/Lamp	Volts	Options	Finish
HP-18	55w/QL = 55QL	120	1A = Single Head	BZ = Bronze
	85w/QL = 85QL	208	2A = Double Head	BK = Black
	165w/QL = 16QL	240	WM = Wall Mount t	WH = White
	100w/MH = 10H	277	PDM = Pendant Mount	SL = Silver
	150w/MH = 10H	UV	PH = Button Cell	CC = Custom Color
	100w/HPS = 10S		FT = Forward Throw	
	150w/HPS = 15S		30k = 3000k 35k = 3500 40k = 4000k	

Example: 70 Watt, Metal Halide, 120 Volts, Single Head, Photo Cell, Bronze
HP-1807H-120/1A/PH/BZ