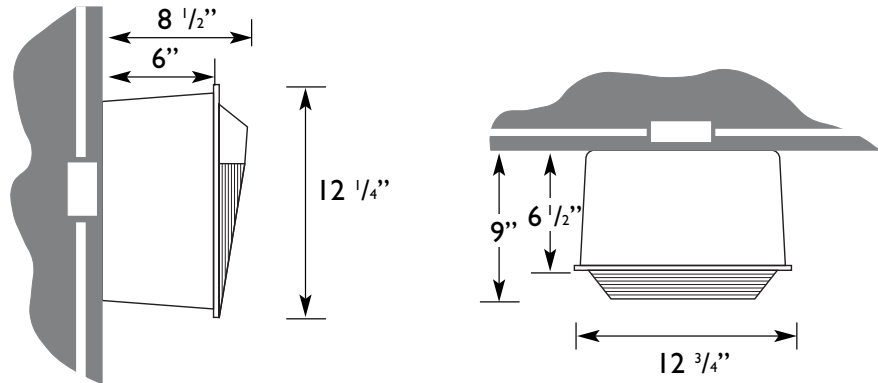


## Mounting Configurations

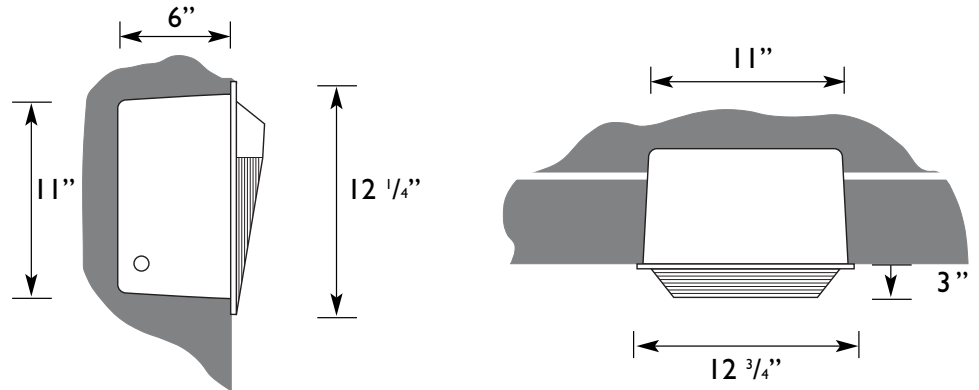
### Surface Mount

Use to surface mount over a recessed 4" junction box provided by the installer.



### Direct Conduit Entry "DC"

Two 1/2" taps for direct conduit entry in surface or recessed applications. Standard on all recesses units.



### Plaster Frame "PF"

Use for recessed dry wall and ceiling applications. (2) 1/2" taps provided for thru wiring. Not designed for insulated walls or ceilings.

