

## Design Features

**Housing:** Heavy gauge cast aluminum housing is designed for recessed dry or concrete pour applications or surface mounting to wall. Neoprene gasket is installed between housing and lens. The unit is fed electrically through the housing.

**Lens Assembly:** One-piece injection-molded U.V. stabilized polycarbonate lens with vertical prisms on the interior surface. Lens is secured to housing by means of four captive stainless steel tamperproof fasteners.

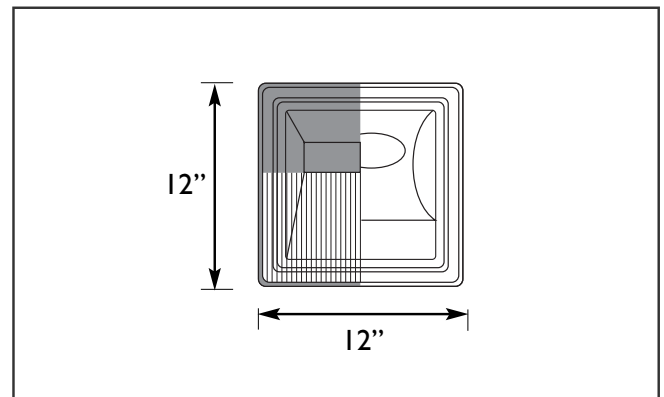
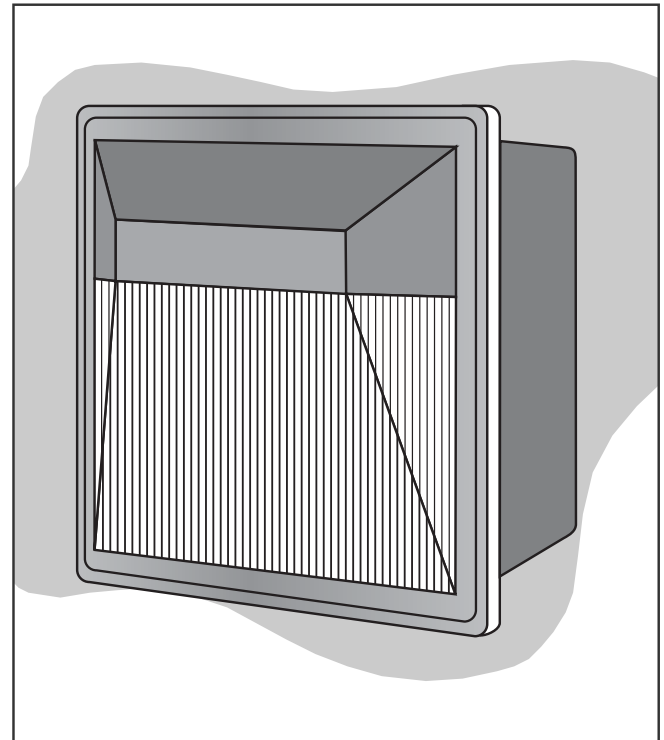
**Optical System:** Segmented reflector system comes in a variety of distributions for Above Eye Mounting and Below Eye Mounting.

- LW - Short penetration with wide distribution.
- LR - Asymmetric distribution with deep penetration.
- SR/SL - Right or left distribution as for stairs.
- R - Asymmetric distribution for Above Eye Mounting.

**Ballast/Lamp Assembly:** HID ballast are high power factor and suitable for -20° F operation. CFL ballast are electronic with universal voltage and operate a 26, 32 or 42 watt 4-pin lamp. HID sockets are porcelain, medium base and pulse-rated. CFL sockets are thermoplastic. Optional with emergency ballast "EMB".

**Finish:** Polyester powder coating on all metal parts. Color to be specified.

**Listing:** Luminaire is ETL listed for wet locations.



## Specification Guide

Series	Wattage/Lamp	Volts	Reflector	Options	Finish
CD	35w/HPS = 103S	120	Below Eye Horizon:	DC = Direct Conduit Entry	BZ = Bronze
	50w/HPS = 105S	208	LW = Wide & Short	1F = Single Fuse	BK = Black
	70w/HPS = 107S	240	LR = Regular Asymm.	2F = Double Fuse	WH = White
	100w/HPS = 110S	277	SL = Stair Left	QR = Quartz Relay	SL = Silver
	50w/MH = 105H	UV	SR = Stair Right	PP = Pedestal Mount	CC = Custom Color
	70w/MH = 107H		Above Eye Horizon	PF = Plaster Frame	
	100w/MH = 110H		R = Regular Asymm.	CP = Cover Plate (Conc. Pour)	
	26-42w/CFL = 142P			EMB = Emerg. Ballast	

**Example:** 70 Watt, High Pressure Sodium, 120 Volt, Stair Left Distribution, Single Fuse, Bronze  
**CD-107S-120/SL/1F/BZ**