

## Design Features

**Housing:** Heavy gauge cast aluminum housing is designed for recessed dry or concrete pour applications. Housing is provided with two wire entry holes. Specify 1/2" or 3/4" NPT. Neoprene gasket is installed between housing and face-plate.

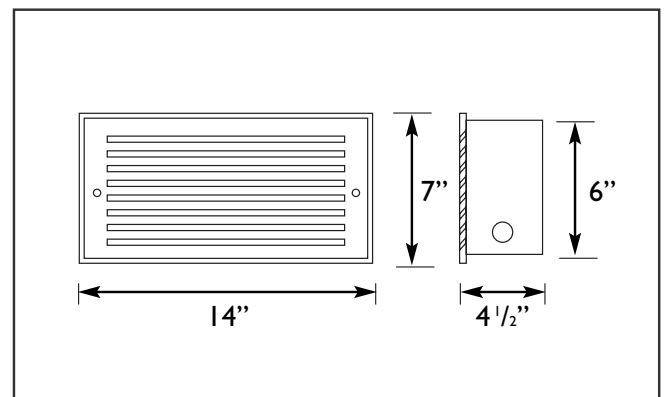
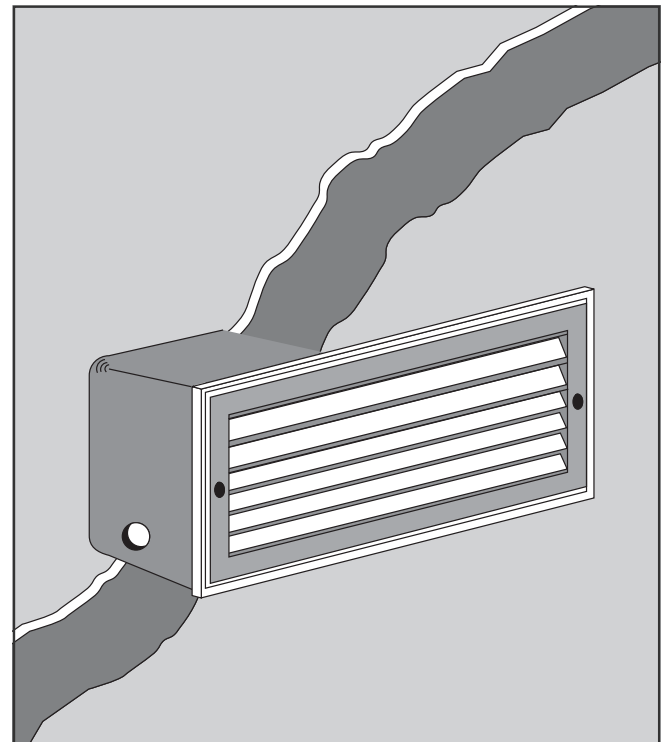
**Face Plate:** Rugged cast aluminum face-plate with 45° louvers, secures clear tempered glass. Face-plate is secured to housing with two stainless tamper proof fasteners. Optional with open face plate and prismatic glass "OFP".

**Optical System:** Diffused satin aluminum reflector provides asymmetric distribution.

**Ballast/Lamp Assembly:** HID ballast are high power factor and suitable for -20° operation. CFL are electronic with universal voltage and operate single 26, 32, 42 watt or (2) 13 watt 4-pin lamps. HID sockets shall be porcelain, medium base and pulse-rated. CFL sockets are thermoplastic. Optional with emergency ballast "EMB".

**Finish:** Polyester powder coating on all metal parts. Color to be specified.

**Listing:** Luminaire is ETL listed for wet locations.



## Specification Guide

Series	Wattage/Lamp	Volts	Options	Finish
CL	2/13w/PLQ = 2/113P	120	1F = Single Fuse	BZ = Bronze
	26w/PLQ = 126P	208	2F = Double Fuse	BK = Black
	32w/PLT = 132P	240	OFP = Ope Face Plate	WH = White
	42w/PLT = 142P	277	QR = Quartz Relay	SL = Silver
	50w/MH = 105H	UV	EMB = Emerg. Ballast	CC = Custom Color
	70w/MH = 107H			
	50w/HPS = 105S			
	70w/HPS = 107S			

**Example:** 50 Watt, High Pressure Sodium, 120 Volts, Single Fuse, Black

**CL-105S-120/1F/BK**