

## Design Features

**Housing:** Heavy gauge cast aluminum housing is designed for recessed dry or concrete pour applications or surface mounting to ceiling. Unit is gasketed between lens and housing. It is electrically fed through the top of housing.

**Lens Assembly:** One-piece injection molded U.V. stabilized polycarbonate lens has prismatic pattern on exterior surface. Lens is secured to housing with four stainless steel tamper resistant fasteners.

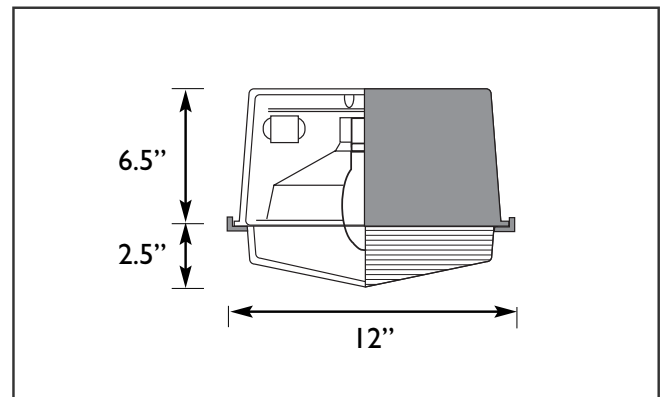
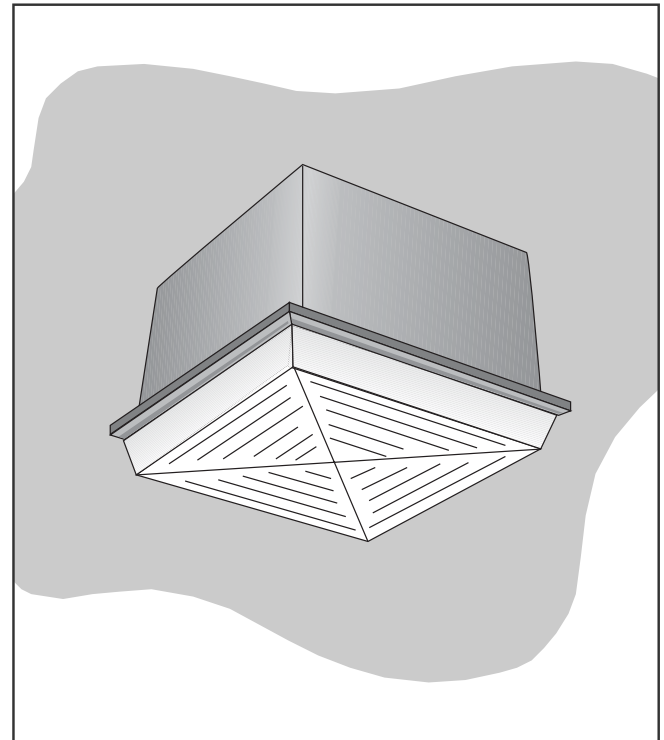
**Optical System:** Segmented reflector system available in both symmetric and asymmetric distributions.

- CMS - Symmetric distribution with square pattern.
- CMA-Asymmetric distribution with rectangular pattern.

**Ballast/Lamp Assembly:** HID ballast are high power factor and be suitable for -20° F operation. CFL ballast are electronic with universal voltage and operate two 26, 32 or 42 watt 4-pin lamps. HID sockets are porcelain, medium base pulse-rated. CFL sockets are thermoplastic. Optional with emergency ballast "EMB"..

**Finish:** Polyester powder coating on all metal parts. Color to be specified.

**Listing:** Luminaire is ETL listed for wet locations.



## Specification Guide

Series	Wattage/Lamp	Volts	Reflector	Options	Finish
CM	35w/HPS = 103S	120	CMS	DC = Direct Conduit Entry	BZ = Bronze
	50w/HPS = 105S	208	CMA	PF = Plaster Frame	BK = Black
	70w/HPS = 107S	240		1F = Single Fuse	WH = White
	100w/HPS = 110S	277		2F = Double Fuse	SL = Silver
	50w/MH = 105H	UV		QR = Quartz Relay	CC = Custom Color
	70w/MH = 107H			CP = Cover Plate (conc. pour)	
	100w/MH = 110H			EMB = Emerg. Ballast	
	2/26-42w/CFL = 2/42P				

**Example:** 70 Watt, High Pressure Sodium, 120 Volt, Symmetric Distribution, Single Fuse, Bronze  
**CM-107S-120/CMS/1F/BZ**