

## Design Features

**Housing:** Extruded aluminum sides are welded to a cast aluminum back plate. Housing is provided with two (2) wire entry holes. Specify 1/2" or 3/4" NPT. Neoprene gasket is installed between housing and face-plate.

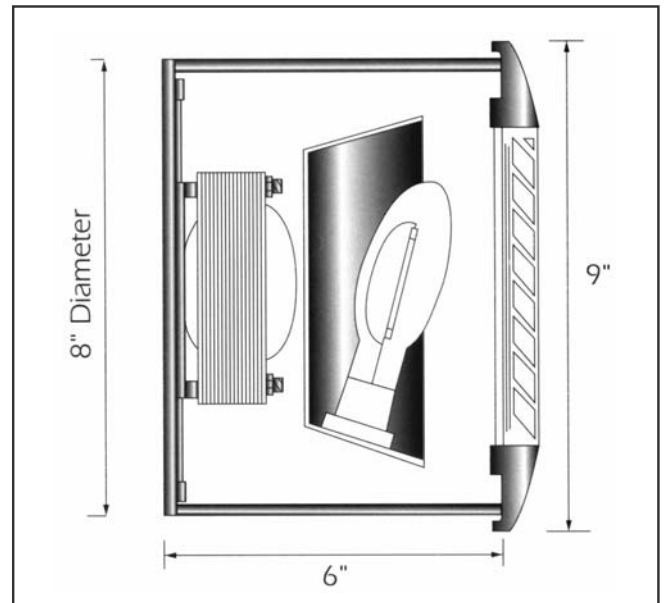
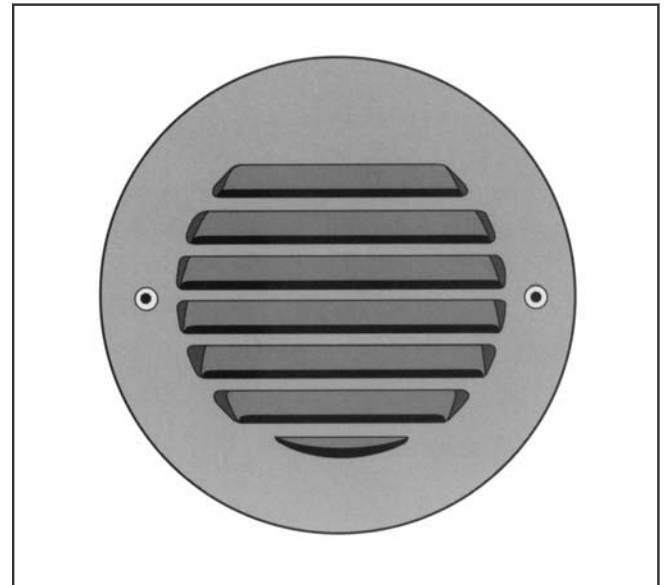
**Face Plate:** Rugged cast aluminum face-plate with 45° louvers, secures clear tempered glass. Face-plate is secured to housing with (2) tamper resistant stainless steel fasteners.

**Reflector:** Specular aluminum reflector provides asymmetric distribution.

**Ballast/Lamp Assembly:** HID ballast are high power factor and suitable for -20° operation. CFL ballast are electronic with universal voltage and operate a 13 or 26 watt 4-pin lamp. HID sockets are porcelain, medium base and pulse-rated. CFL sockets are thermoplastic.

**Finish:** Polyester powder coating on all metal parts. Color to be specified.

**Listing:** Luminaire is ETL listed for wet locations.



## Specification Guide

Series	Wattage/Lamp	Volts	Options	Finish
CS	13w/CFL = 13P	120	1F = Single Fuse 2F = Double Fuse	BZ = Bronze BK = Black WH = White
	26w/CFL = 26P	208		
	50w/HPS = 05S	240		
	70w/HPS = 07S	277		
	50w/MH = 05H	UV		
	70w/MH = 05H			

**Example:** 35 Watt, High Pressure Sodium, 120 Volts, Single Fuse, Bronze  
**CS-103S-120/1F/BZ**